

Directional seated valves

Directly actuated, leakagefree for hydraulic systems
For the assembly on connection sub-plates

Valve for sub-plate mounting
Valve with individual connection sub-plate
Directional valve bank

Section 3
Section 5
D 7302

Pressure $p_{\max} = 350 \dots 500$ (700) bar
Flow $Q_{\max} = 6 \dots 120$ lpm

1. General information

Directional control valves are generally used for the direct, leakage free control of consumers and as pilot valves for hydraulically actuated valves (depending on the flow pattern). They are designed as spring returned ball seated valves. The valve elements are forced into their respective switching position against the spring force and fluid pressure by various actuation elements via an elbow lever acting on a pin. A strainer insert in the inlet port prevents the entry of coarse contamination.

The fluid ducts end as holes with O-ring seals at the ground, bottom surface of the valve body. Pipes may be connected either via customer furnished connection blocks or sub-plates (for individual valves with sub-plates see sect. 5 or for valve banks see D 7302). These valves do not show any leakage in blocked switching position. Reliable shifting is ensured, as these valves are designed as ball seated valves where there is no seizing or sticking in working position under full pressure. The leverage between actuation and valve element ensures low actuation forces and smooth shifting. To avoid interaction, most of these directional control valves are available with check valve inserts and return pressure stops or orifice inserts to limit the inflow of oil.

Individual valves with sub-plate, enabling direct pipe connection, may be equipped with a by-pass check valve, a pressure limiting valve, or a rectifier circuit by means of check valves.

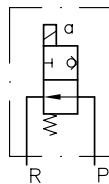
2. Overview

(For complete type overview, see sect. 8)

Individual valve for manifold mounting

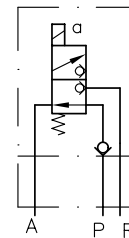
Individual valve with connection sub-plate for direct pipe connection

e.g. **GS 2-1-G 24**



Solenoid actuated
2/2-way directional
seated valve, size
1, free flow when
deenergized

e.g. **GZ 3-2R-3/8-G 24**



Solenoid actuated 3/2-way
directional seated valve, size
2 with check valve insert in
port P

Tapped ports in the
connection sub-plate, G 3/8
(BSPP)

Actuation modes

For detailed data, see section 4++.

(Max. pressure rating depending on flow pattern and size, see sect. 3.1 table 2)

| Code letter | Solenoid | | Pressure | | Mechanical | | Manual | |
|--------------------|----------|----|----------------|----------------|-------------|----------|-------------|----------------|
| | G | WG | hydraulic H | pneumatic P | roller K | pin T | feeler F | turn-knob D |
| Picture and symbol | | | | | | | | |

3. Individual valves, manifold mounting

3.1 Valve

Order example:

G R2 - 3 R - G 24

Solenoid actuation (acc. to sect. 4.1)

G = DC

WG = AC

For actuation modes **H, P, K, T, F, D**, see sect. 2 and 4.2 ++

(For individual valves with connection sub-plate for pipe connection, see sect. 5)

solenoid voltage (standard)

G 24 = 24 V DC; **WG 230** = 230 V AC

see sect. 4.1

Additional element (see table 3)

Size and main data (see table 2)

Table 1: Flow pattern

| Coding | 2/2-way valve | | 3/2-way valve | | 3/3-way valve | 4/3-way valve | 4/2-way valve | |
|--|---|------------------|-----------------|------------------|------------------|------------------|--------------------|---------------------|
| | R2 ³⁾ | S2 ³⁾ | 3 ³⁾ | Z3 ³⁾ | 21 ³⁾ | 22 ¹⁾ | 4 ^{2) 3)} | Z4 ^{2) 3)} |
| Detailed symbols (must be completed by actuation symbol) | | | | | | | | |
| | <p>1) Not available for size 4! Note the arrangement of solenoids a and b in relation to the ports A and B, see dim. drawings sect. 3.3.3</p> <p>2) Only available for size 1</p> <p>3) Size 1 also available as explosion-proof version, see sect. 4.1.3</p> | | | | | | | |
| Simplified flow pattern symbol | | | | | | | | |

Table 2: Size, main data

| Coding | | 0 | | 1 | | 2 | | 3 | | 4 | |
|--|----------------------|-------------------|-----|-----|--------------------|-----|-------------------|-----|---------------|-----|---------------|
| Max. flow approx. lpm | | 6 | | 12 | | 25 | | 65 | | 120 | |
| Directional valves (...-way) | | 2/2; 3/2 | 3/3 | 4/3 | 2/2; 3/2; 3/3; 4/2 | 4/3 | 2/2; 3/2; 3/3 | 4/3 | 2/2; 3/2; 3/3 | 4/3 | 2/2; 3/2; 3/3 |
| Pres- sure p _{max} (bar) | Solenoid actuation | Type G.. and WG.. | 500 | 350 | 500 ⁴⁾ | 350 | 500 ⁴⁾ | 350 | 400 | 350 | 350 |
| | Pressure actuation | Type H.. | 500 | 500 | 700 | 500 | 500 | 500 | 400 | 400 | --- |
| | | Type P.. | --- | --- | 700 | 400 | 500 | 400 | 400 | 350 | --- |
| | Mechanical actuation | Type K.. | --- | --- | 700 | 400 | 500 | 400 | 400 | 350 | --- |
| | | Type T.. | --- | --- | 700 | 400 | 500 | 400 | --- | --- | --- |
| Manual actuation | Type F.. | --- | --- | 700 | 400 | 500 | 400 | 400 | 350 | --- | |
| | Type D.. | 500 | --- | --- | 700 | 400 | 500 | --- | --- | --- | --- |

⁴⁾ For max. pressure during shifting, see sect. 4.1

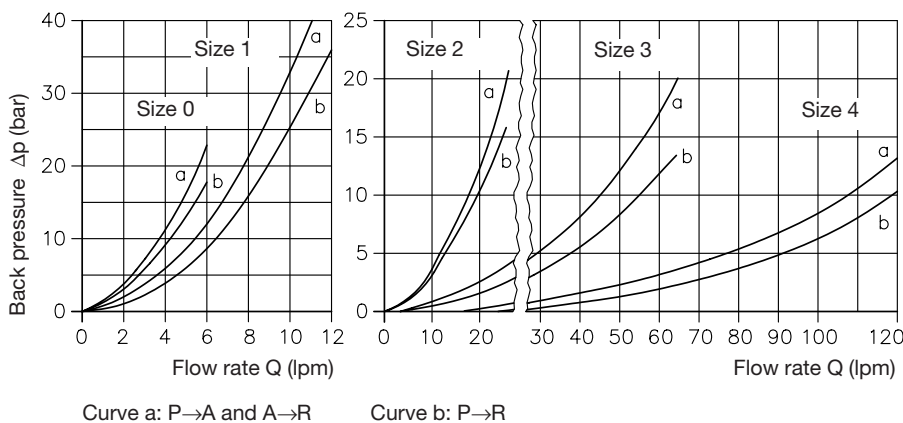
Table 3: Additional elements to influence shifting operations, inserted in port P or R (can be retrofitted).

| Coding and symbol | Additional element | | Note | Installation illustration | |
|-------------------|--------------------|--|--|--|--|
| | for size | Type | | Check valve or orifice installed in port P | Return pressure stop installed in port R |
| R | all | Insert check valves type ER acc. to D 7325 e.g. type ER 01 for valves size 0 | Not avail. for 3/3- and 4/3-way directional spool valves type ...21 and ...22 The check valve prevents an uncontrolled impact or reflow R→P or A→P, e.g. if the inlet pressure at P drops below the consumer pressure at A (during idle position or actuation of another consumer with a lower pressure requirement) when several valves are connected in parallel. A pressure reduction is prevented during such switching operations. | | |
| B | all | size 0 = EB 0-0,6 1 = EB 1-0,8 2 = EB 2-1,2 3 = EB 3-2,5 4 = EB 4-4,0 Insert orifices type EB acc. to D 6465 | Not available for 4/3-way valves type ...22! The orifice serves to limit the flow (see Δp-Q curves) and should be installed if flow rates higher than Q _{max} (table 2) can occur while switching from P→A(R): Hydraulic accumulators on the pump side P or in the case of hydr. servo operation of directional spool valves with control oil supply from the high flow main gallery. | | |
| S | 0 1 | 7332 000 a 7332 000 b A combination with check valve or orifice in port P is possible e.g. G 3-1 BS-G 24, GZ 3-1 RS-G 24 | Return pressure stop Only available for 3/2-way valves types ..3-.. or ..Z3-.. Check valves may be installed in the reflow ports R of 3/2-way valves size 0 and 1. With parallel shifting of several valves, they prevent pressure surges from migrating via the common reflow gallery into non-operated, easily moving and unloaded consumers if there is a connection A→R, thus preventing uncontrolled extension movements. Such pressure surges can be caused by shifting operations. These check valves are not intended for blocking off hydraulic oil, which depending on the combination of switching operations of other valves, can arise at port R. | | |

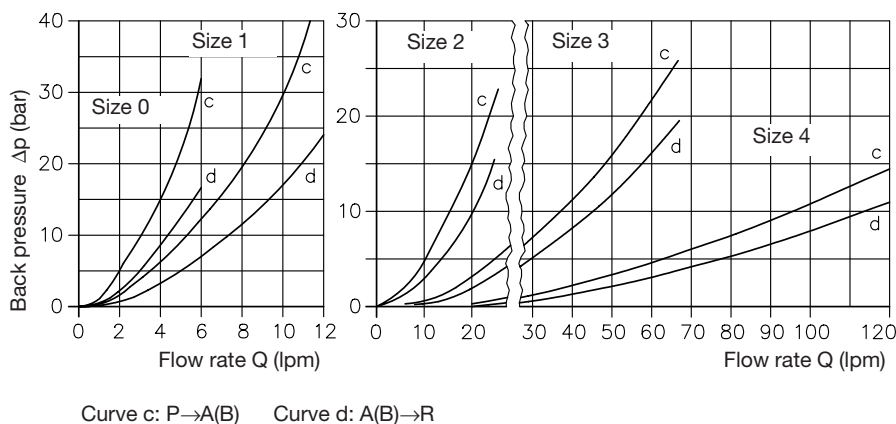
3.2 Further characteristic data
3.2.1 General and hydraulic parameters

| | | | | | | | |
|------------------------------------|---|-----------------------|---|---|----|----|----|
| Description | 2/2-, 3/2-, 3/3, 4/3- and 4/2-way valve | | | | | | |
| Design | Seated ball valve | | | | | | |
| Mounting type and leads connection | Manifold mounting | Size | 0 | 1 | 2 | 3 | 4 |
| | | corresp. to nom. size | 4 | 6 | 10 | 15 | 20 |
| Installation position | Any; Vertically with actuation up (best) | | | | | | |
| Direction of flow | Only in arrow direction acc. to flow pattern in sect. 3.1 The location of ports P (pump), R (return flow), A and B (consumers) are dictated by the internal design and can't be readily interchanged. | | | | | | |
| Overlap | Negative, i.e. the transition from shifting pos. 0 into a and vice versa is gradual, with 3/2-way valves all ports may be interconnected during this state. See also sect. 3.1 (table 3) „Additional orifice“ ! | | | | | | |
| Operation pressure | See sect. 3.1. All ports may be subject to the full oper. pressure, but a pressure drop must be maintained in flow direction acc. to the flow pattern in sect. 3.1, i.e. $P \geq A(B) \geq R$. With 4/3-way valves connection R must be employed as return flow only. For permissible pressure during switching operations, see sect. 4.1. | | | | | | |
| Static overload capacity | Approx. $2 \times p_{max}$, applies only to valves in idle position (p_{max} from table 2 sect. 3.1) | | | | | | |
| Flow rating | See sect. 3.1. Pay attention to the area ratio of double acting consumers (differential cylinders), i.e. the return might be higher than the inflow. | | | | | | |
| Pressure fluid | Hydraulic oil conforming DIN 51524 part 1 to 3: ISO VG 10 to 68 conforming DIN 51519 Viscosity limits: min. approx. 4, max. approx. 800 mm ² /s Optimal operation: Approx. 10 ... 200 mm ² /s Also suitable for biological degradable pressure fluids types HEPG (Polyalkylenglycol) and HEES (Synth. Ester) at service temperatures up to approx. +70 °C. For other fluids see sect. 6.2. | | | | | | |
| Temperature | Ambient: approx. -40...+80°C; Fluid: -25...+80°C, pay attention to the viscosity range! Start temperature down to -40°C are allowable (Pay attention to the viscosity range during start!), as long as the operation temperature during subsequent running is at least 20K higher. Biological degradable pressure fluids: Pay attention to manufacturer's information. With regard to the compatibility with sealing materials do not exceed +70°C. Restrictions for version with ex-proof solenoid! | | | | | | |

2/2- and 3/2-way valves



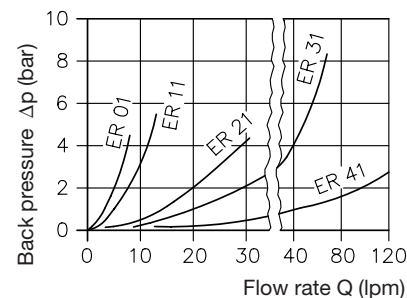
3/3-, 4/3- and 4/2-way valves



Additional elements

(the figures for Δp P→A(R) below are to be added !)

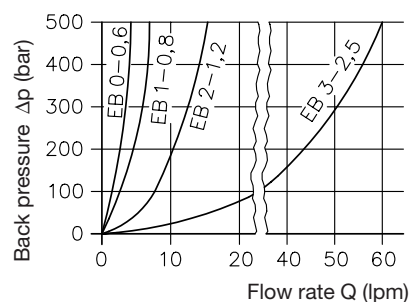
Check valve



Δp-Q curves (guideline)

Oil viscosity during tests approx. 60 mm²/s

Orifice

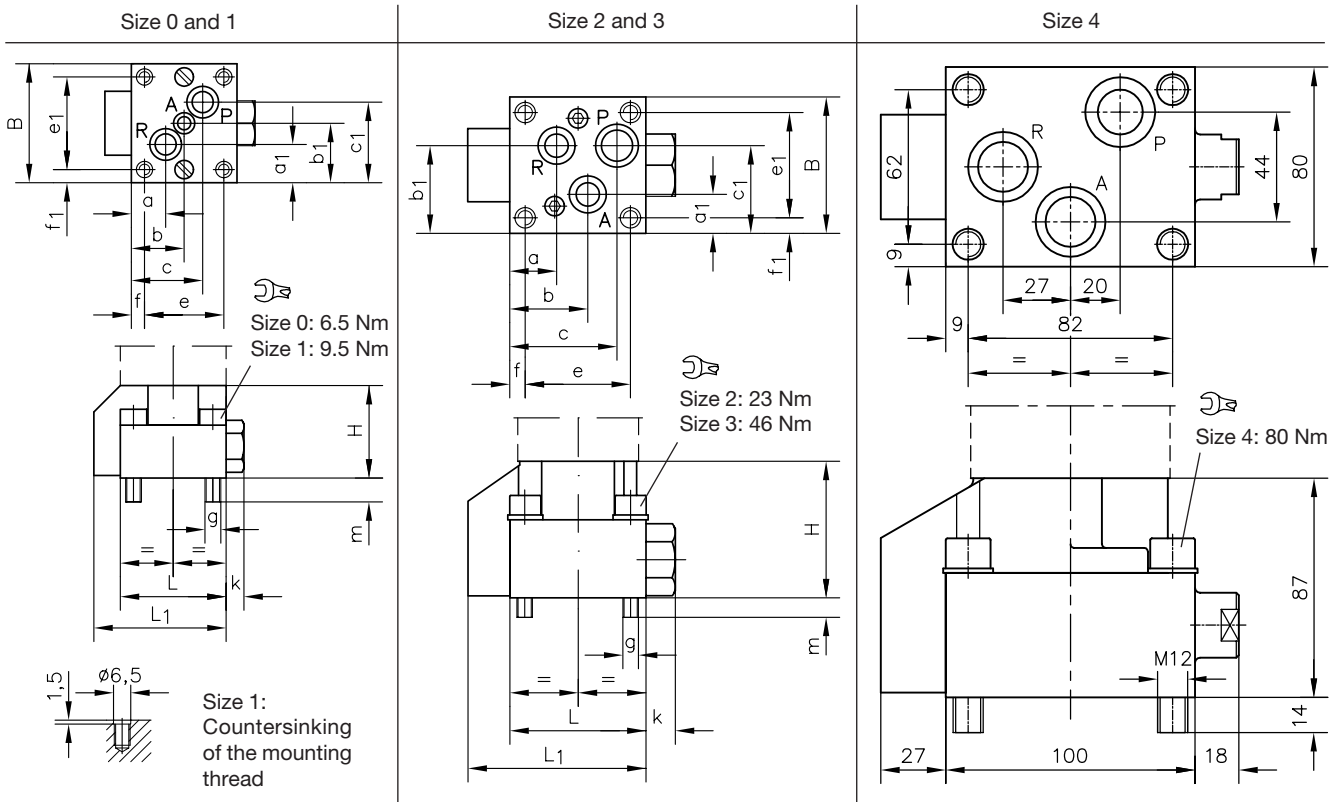


3.3 Dimensions, valve only. For the dimensions of the actuators see sect. 4.1 ++
All dimensions are in mm and are subject to change without notice!

3.3.1 2/2- and 3/2-way valves

Coding .R2-..., .S2-..., .3-..., .Z3-..

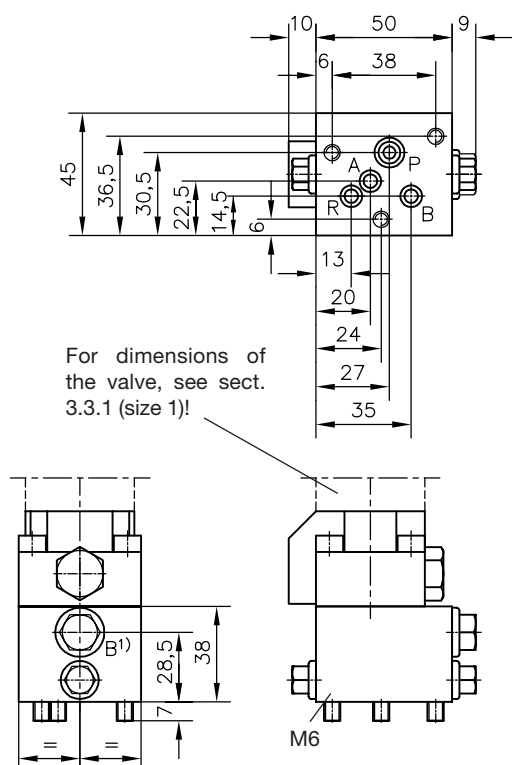
Port A is internally blocked at 2/2-way valves, but an O-ring must be installed if the valve is mounted on a sub-plate.



| Size | L | L1 | B | H | a | a1 | b | b1 | c | c1 | e | e1 | f | f1 | g | k | m |
|------|----|------|----|----|------|------|------|------|------|------|----|----|-----|-----|-----|----|----|
| 0 | 32 | 41.5 | 36 | 27 | 10 | 12 | 16 | 18 | 22 | 24 | 24 | 28 | 4 | 4 | M5 | 7 | 4 |
| 1 | 40 | 50 | 45 | 35 | 13 | 14.5 | 20 | 22.5 | 27 | 30.5 | 30 | 35 | 5 | 5 | M6 | 8 | 9 |
| 2 | 50 | 62.5 | 56 | 55 | 16.6 | 18 | 26.6 | 31 | 38.8 | 32 | 39 | 43 | 5.1 | 6.5 | M8 | 11 | 10 |
| 3 | 70 | 91.5 | 70 | 70 | 24 | 20 | 40 | 45 | 55 | 45 | 54 | 54 | 8 | 8 | M10 | 17 | 10 |

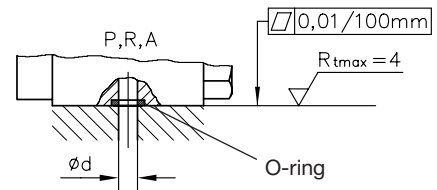
3.3.2 4/2-way valve

Coding .4-.. or .Z4-..



For dimensions of the valve, see sect. 3.3.1 (size 1)!

Holes in the manifold and sealing of the ports by O-rings 2)



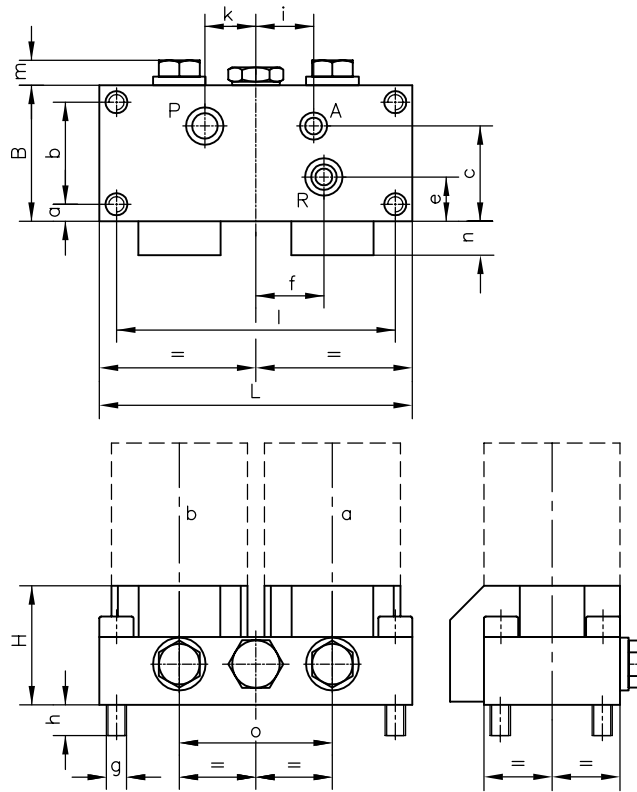
| Size | Ports | $\varnothing d$ | O-ring NBR 90 Sh | |
|---------------------------|----------------|-----------------|------------------------------------|-----------|
| 2/2- and 3/2-way valve | 0 | P and R | 3,5 6x1,5 | |
| | | A | 3 3,5x1,2 | |
| | 1 | P and R | 4,5 8x1,5 | |
| | | A | 4,5 5x1,5 | |
| 2 | P | 9 14x2 | | |
| | A and R | 9 10x2,2 | | |
| 3 | P | 12 17.12x2.62 | | |
| | A and R | 12 13.95x2.62 | | |
| 4 | A, P and R | 20 | KANTSEAL seal ring 6096 5217-00 | |
| | 4/2- way valve | 1 | P | 4,5 8x1,5 |
| | | | A, B and R | 4,5 5x1,5 |

1) Port B (G1/4 (BSPP)) is unplugged, at versions with sub-plate acc. to section 5 or when installed in a valve bank type VB11... acc. to D 7302

2) Available as a complete seal kit (see sect. 4.5).

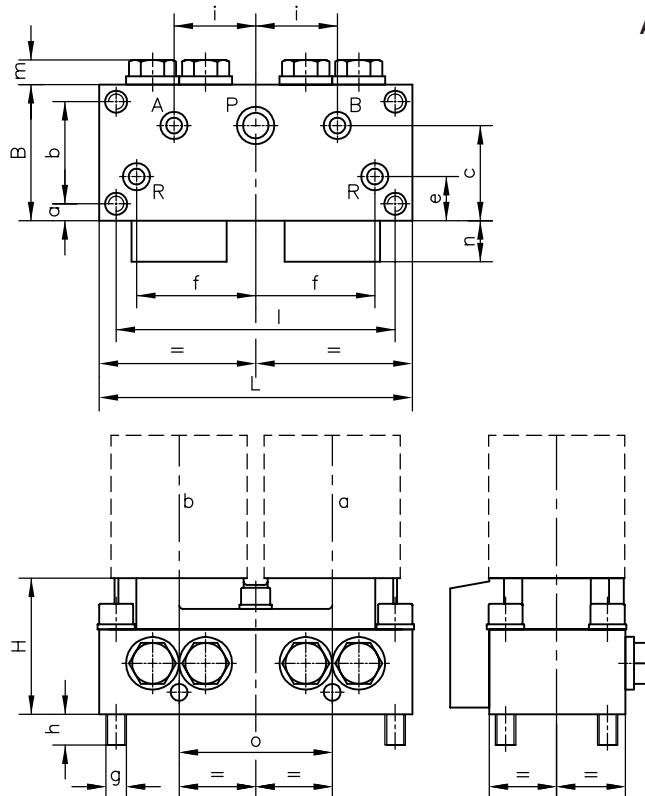
3.3.3 3/3- and 4/3-way valves

3/3-way valve
Coding .21-..



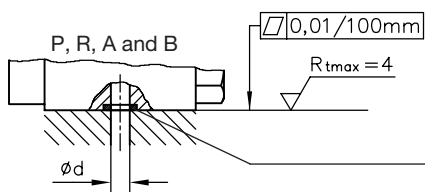
| | Size | | | | |
|---|------|----|-----|-----|-----|
| | 0 | 1 | 2 | 3 | 4 |
| L | 75 | 92 | 116 | 144 | 162 |
| B | 32 | 40 | 50 | 70 | 100 |
| H | 27 | 35 | 55 | 70 | 101 |
| a | 4 | 5 | 5.5 | 8 | 9 |
| b | 24 | 30 | 39 | 54 | 82 |
| c | 23 | 28 | 39 | 55 | 74 |
| e | 11 | 13 | 20 | 24 | 27 |
| f | 16 | 27 | 26 | 26 | 41 |
| g | M5 | M6 | M8 | M10 | M12 |
| h | 3.5 | 9 | 10 | 10 | 16 |
| i | 19 | 20 | 26 | 20 | 25 |
| k | 13 | 15 | 22 | 20 | 25 |
| l | 66 | 82 | 103 | 128 | 144 |
| m | 7 | 8 | 11 | 17 | 18 |
| n | 10 | 10 | 13 | 22 | 26 |
| o | 38 | 45 | 53 | 72 | 82 |

4/3-way valve
Coding .22-..



Attention: Both return ports R have to be connected, as there is no internal connection.

| | Size | | | |
|---|------|----|-----|-----|
| | 0 | 1 | 2 | 3 |
| L | 75 | 92 | 116 | 144 |
| B | 32 | 40 | 50 | 70 |
| H | 31 | 40 | 59 | 70 |
| a | 4 | 5 | 5.5 | 8 |
| b | 24 | 30 | 39 | 54 |
| c | 23 | 28 | 39 | 55 |
| e | 11 | 13 | 17 | 22 |
| f | 27 | 35 | 45 | 55 |
| g | M5 | M6 | M8 | M10 |
| h | 4.5 | 9 | 10 | 10 |
| i | 19 | 24 | 30 | 38 |
| l | 66 | 82 | 103 | 128 |
| m | 7 | 8 | 11 | 17 |
| n | 11 | 13 | 17 | 23 |
| o | 38 | 45 | 53 | 64 |



Holes in the manifold and sealing of the ports by O-rings ¹⁾

| | Ports | Size 0 | Size 1 | Size 2 | Size 3 |
|--------|--------------|--------|--------|--------|------------|
| Ød | P, R, A a. B | 3.5 | 4.5 | 9 | 12 |
| O-ring | P | 6x1.5 | 8x1.5 | 14x2 | 17.12x2.62 |
| | R, A and B | 6x1.5 | 5x1.5 | 10x2.2 | 13.95x2.62 |

¹⁾ Available as a complete seal kit (see sect. 4.5).

4. Actuation modes

4.1 Solenoid actuation (standard)

The solenoids are built and checked conforming to VDE 0580.

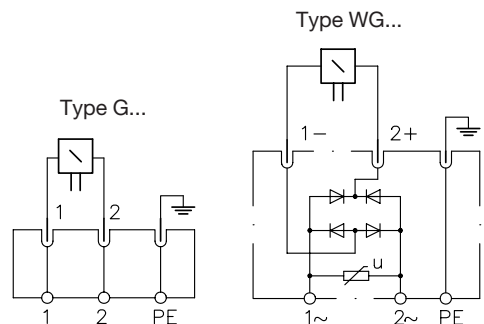
| Valve type acc. to sect. 3.1 | Size 0 | | Size 1 | | Size 2 | | Size 3 | | Size 4 | | |
|--------------------------------------|---|---------------------|--------|---------------------|--------|-------|--------|-------|--------|-------------------|-------------------|
| | G... | WG... ¹⁾ | G... | WG... ¹⁾ | G... | WG... | G... | WG... | G... | WG... | |
| Nom. voltage U_N | 12V DC, 24V DC, 110V DC, 230V AC see also sect. 4.1.2 | | | | | | | | | | |
| Nom. current I_N ²⁾ (A) | 0.67 | 0.08 | 0.83 | 0.1 | 1.1 | 0.13 | 2.1 | 0.26 | 3.6 | 0.44 | |
| Nom. power P_N ²⁾ (W) | 16 | 16 | 20 | 20 | 26 | 26 | 50 | 50 | 86 | 86 | |
| Switching time (guideline) | on (ms) | 40 | 80 | 100 | 100 | 140 | 140 | 175 | 175 | 150 | 150 |
| | off (ms) | 40 | 100 | 50 | 125 | 55 | 150 | 65 | 200 | 100 ⁴⁾ | 350 ⁴⁾ |
| Switchings per hour / h | Approx. 2000 (G.. and WG.. all sizes); approx. evenly distributed | | | | | | | | | | |
| Protection mode | IP 54 acc. to IEC 60529 (readily assembled), IP 67 acc. to IEC 60529 for explosion-proof version | | | | | | | | | | |
| Isolationsklasse | F | | | | | | H | | | | |
| Cut-off energy (Ws) | 0.16 | 0.16 | 0.24 | 0.24 | 0.38 | 0.38 | 1.59 | 1.59 | 3.4 | 3.4 | |
| | Guideline for max. value + approx. 10% according to tests with nom. voltage and 20°C | | | | | | | | | | |

Connection scheme of the plugs

Plug conf. EN 175 301-803

Adapters for size 0 and 1, see sect. 4.1.1

- ① Plug MSD 2³⁾
- ② Plug MSD 1³⁾
- ③ Plug conf. EN 175 301-803, e.g. MSD 3-309³⁾
- ④ Adapter + Socket A MSD 1-MSD 3 + MSD 4-209 P10³⁾
- ⑤ Adapter + Socket A MSD 2-MSD 3 WG + MSD 3-309³⁾



These connectors³⁾ are part of the order coding as standard. For other connectors e.g. with clamp diode, economy circuit or LED's see D 7163.

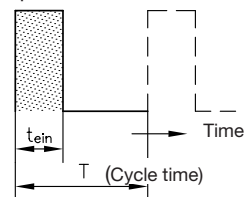
Permissible operation conditions for outdoor use

The solenoid valves are suitable for normal outdoor use, if the solenoids are installed vertical (indicated by previous experience).

Rel. duty cycle

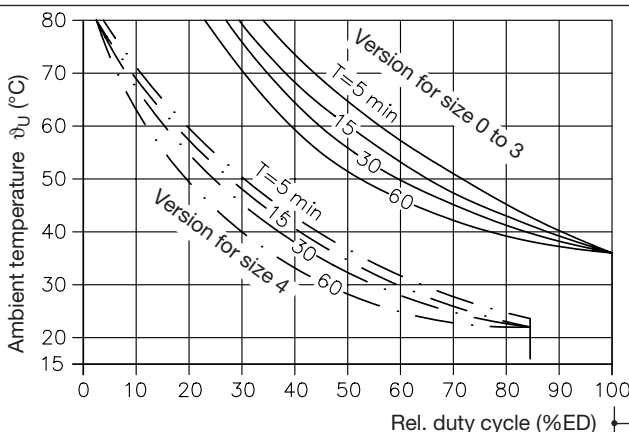
100% ED (stamped on the solenoid), however observe operating duty cycle !

Rel. duty cycle during operation



Rel. duty cycle

$$t_r = \frac{t_{ein}}{T} \cdot 100 (\%ED)$$



The curves do apply to stand-alone, individual valves only! If the valves are installed in a cabinet, it should be always equipped with louvers! In case of bank arrangement and ambient temperatures above 40°C the layout should be designed in such a way that adjoining solenoids are not energized over prolonged periods.

Increased switchable pressure (other than listed in sect. 3.1) for size 1, 2 and 4

With load cycles $\leq 10\%$ ED
Ambient temp. $\leq 40^\circ\text{C}$
(not 4/3-way valves type ...22)

| Type | Valves size 1 | | Valves size 2 | | Valves size 4 type GR 2-4-G.. | |
|--------------|-----------------|-------------------------------|-----------------|-------------------------------|-------------------------------|-------------------------------|
| | P_{max} (bar) | Q_{max} ⁵⁾ (lpm) | P_{max} (bar) | Q_{max} ⁵⁾ (lpm) | P_{max} (bar) | Q_{max} ⁵⁾ (lpm) |
| G... a. WG.. | 700 | 8 | 700 | 12 | 400 | 60 |

1) Only with adapter, see sect. 4.1.1

2) The electrical data for solenoids G and WG are only a guideline (max) and may vary depending on manufacturer.

3) Co. K + B GmbH, D-84056 Rottenburg a.d.L.; This type of plug must be specified, when placing a separate orders.

4) Possibly increased tolerance, above 250 bar.

5) **Attention:** The storage capability of high pressure consumers has to be taken into consideration. Pressure surges during discharging, which might harm internal functional parts of the valve or fatigue fracture of other hydraulic components of the application can be prevented by installing orifices (see sect. 3.1) upstream.

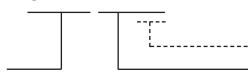
4.1.1 Plugs for valves size 0 and size 1

The standard version comes with a plug (see dimensional drawing and connection scheme)

Order example:

GR 2-1 -A 24

Directional seated valve acc. to section 3.1



Solenoid voltage 24V DC
Plug type

| Coding | G | WG | A | N |
|---------------|-----------------------|--|---|---|
| | | | | |
| Note | Central plugs (serie) | Valve with adapter and bridge rectifier (socket) The bridge rectifier is incorporated in the adapter for size 0 | Valve with adapter for plugs shape A EN 175301-803 is customer furnished | Valve with adapter and, plug shape A EN 175301-803 |
| Socket Size 0 | MSD 2 | MSD 2-MSD 3WG + MSD 3-309 | MSD 2-MSD 3 | MSD 2-MSD 3 + MSD 3-309 |
| Socket Size 1 | MSD 1 | MSD 1-MSD 3 + MSD 4-209 P10 | MSD 1-MSD 3 | MSD 1-MSD 3 + MSD 3-309 |

4.1.2 Solenoid voltage

Examples: GR 2-2 - G 24 ($I_{20} = 0.54 \text{ A}$)
G 3-0R - A 110 ($I_{20} = 0.15 \text{ A}$)
WGZ 4-1 - W 200 ($I_{20} = 0.11 \text{ A}$)

The indicated nominal power ratings are approximate reference values, which may differ insignificantly depending on the voltage and the manufacturer of the solenoid. The current rating in cold state is $I_{20} = P_N / U_N$ (see examples)

1) Notes for proper selection:

DC: The order specification (solenoid) should be identical with the one of the power supply (DC). If the supply voltage is lower it will reduce the force of the solenoid, if it is higher the solenoid will be heated up unpermissibly (tolerance $\pm 5\text{-}10\%$).

AC: The order specification should be identical with the one of the power supply (50/60 Hz AC). The voltage of the solenoid is approx. $0.9 U_{AC} - 2 \text{ V}$ due to the corresponding bridge rectifier. The table identifies the solenoids utilized in such cases (e.g. for 110V AC 50 Hz; solenoid with $U_N = 98 \text{ V DC}$)

Attention: It is important to specify the voltage !

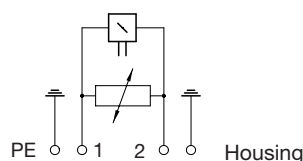
| Order specification | Size 0 | Size 1 | Size 2 | Size 3 | Size 4 |
|---------------------|--------------|----------|--------|-------------|--------|
| | | | | | |
| | (16 W) | (20 W) | (26 W) | (50 W) | (86 W) |
| G 12 | x | x | x | x | x |
| G 24 | WG...-WG 24 | x | x | x | x |
| G 24 EX | | x (23 W) | | | |
| G 36 | WG...-WG 42 | | x | x | |
| G 42 | WG...-WG 48 | x | x | | x |
| G 48 | | x | x | x | |
| G 80 | | x | x | x | |
| G 98 | WG...-WG 110 | x | x | x | x |
| G 110 | | x | x | x | |
| G 125 | | x | | x | |
| G 185 | WG...-WG 200 | x | x | x (180V DC) | x |
| G 205 | WG...-WG 230 | x | x | x | x |
| G 220 | | x | x | x | |

Note:

Only 40% ED are permissible if the valves are neighboring, it is additionally recommended that neighboring valves are not actuated simultaneously.

Explosion-proof solenoids

Connection scheme of the plugs



Electrical data for ex-proof solenoids

ATEX-Certificate of conformity
Coding

TÜV-A 12ATEX 0006 X
⊕ II 2 G Ex d IIB + H2 T4 Gb
⊕ II 2 D Ex tb IIIC T135°C Db

Oper. duration
Duty cycle
Nom. voltage U_N
Power P_N

100% ED
IP 67 (IEC 60529)
24 V DC
23 W

Restrictions for use:

Ambient temperature
max. fluid temperature
el. protection against overload (conf. IEC 60127)
Surface coating

-35 ... +40°C
+70°C

$I_F < 1.6\text{-}A\text{-}T$
Housing galvanically zinc coated
Coil and connection cavity are moulded

Attention:

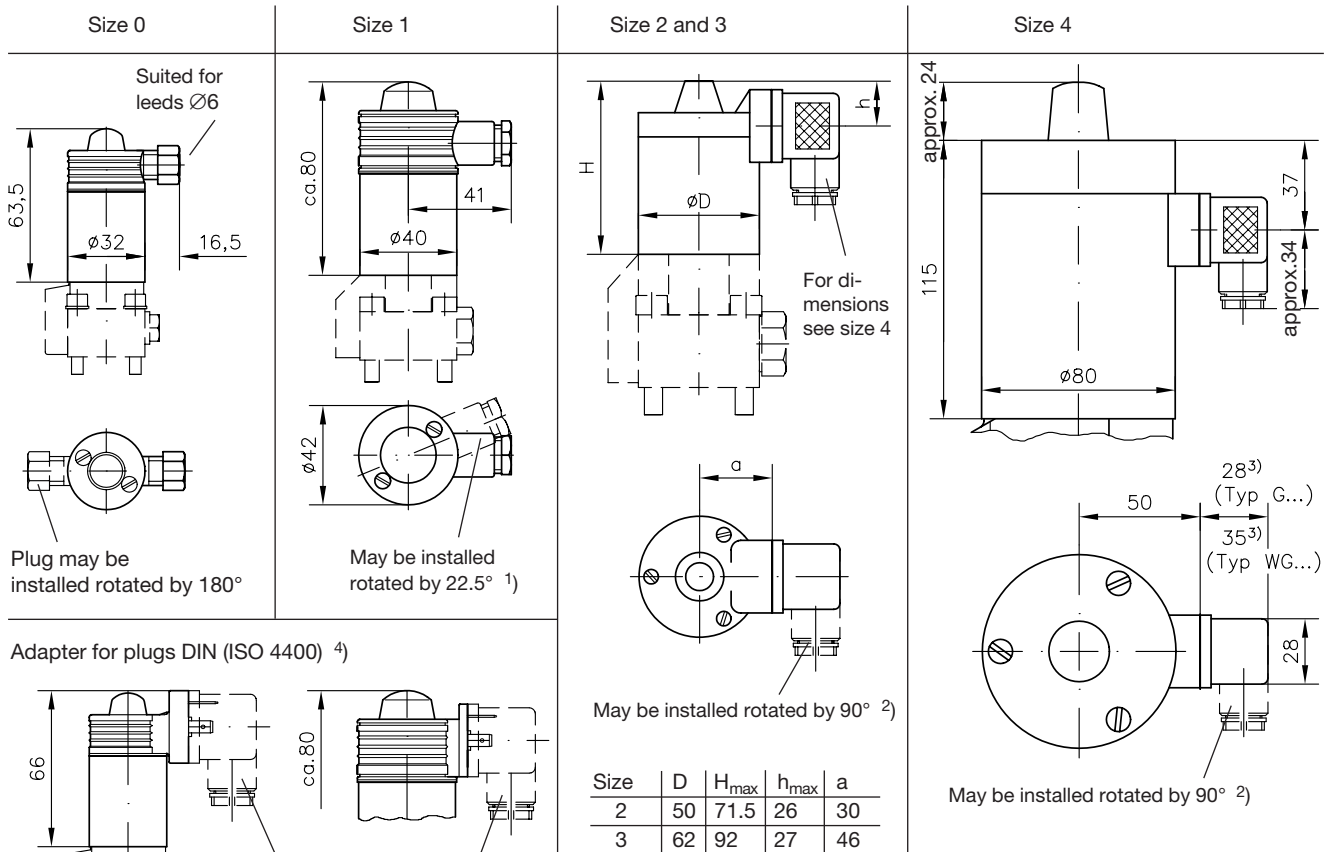
- Flow pattern 21 and 22 not available with explosion-proof solenoids

Attention: Protect the complete valve against direct sun light.

Observe the operation manuals B 03/2004 and B ATEX!
Electrical lay-out and testing conforming EN 60079, VDE 0170-1, VDE 0170-5

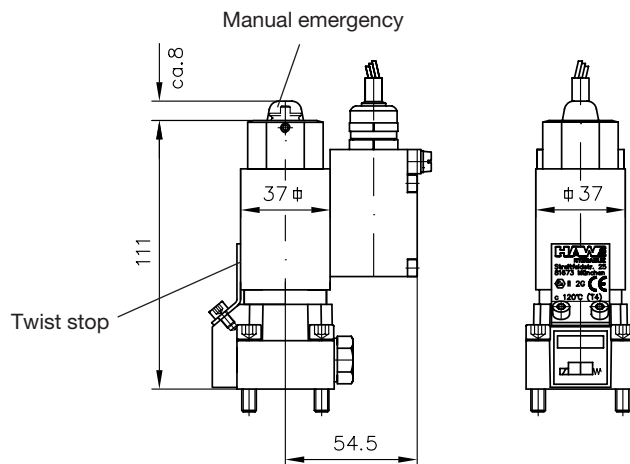
4.1.3 Unit dimensions

All dimensions are in mm and are subject to change without notice!



| Size | D | H _{max} | h _{max} | a |
|------|----|------------------|------------------|----|
| 2 | 50 | 71.5 | 26 | 30 |
| 3 | 62 | 92 | 27 | 46 |

Size 1 with explosion-proof solenoids



- 1) It is not possible to install the plug in any position if the valve is part of a valve bank (see D 7302)
- 2) Either in upward or downward valve bank (see D 7302)
- 3) This dimension is depending on the manufacturer and may be up to 40 mm more DIN 43650
- 4) The bridge rectifier is incorporated in the adapter with type WG.. size 0 and with size 1 it is part of the plug

Manual emergency operation

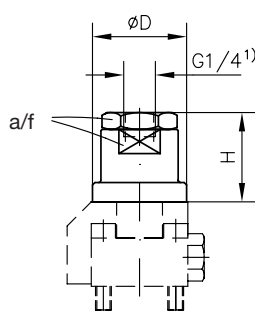
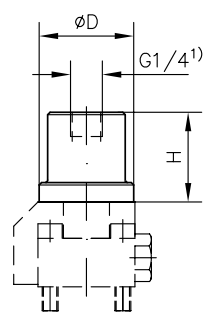
| Size | 0 | 1 | 4 | 2 | 3 |
|--------------------------|--|----|-----|---|-----|
| Max. actuation force (N) | 35 | 80 | 450 | 150 | 250 |
| Cross sectional drawing | <p>Size 0 and 1</p> | | | | |
| Note | Press the actuation pin hidden under the rubber cap. | | | Push the emergency actuation pin inward by means of a screw driver or similar, if required | |
| | | | | <p>The manual emergency actuation may be put out of function by blocking the tapped hole by means of a screw M3x5 DIN 921</p> | |

4.2 Hydraulic and pneumatic actuation

The actuation element is a single acting piston with spring return.

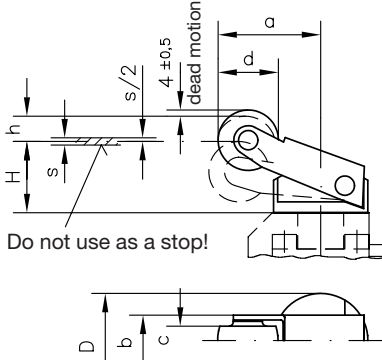
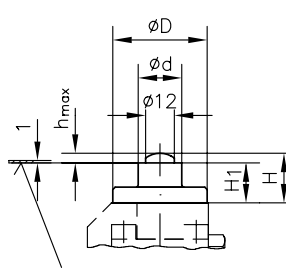
The valve will remain in its working position **a** as long as the control pressure prevails. It will return automatically in its idle position **0** if the control pressure is relieved.

The piston is sealed and operates without any leakage.

| Actuation | | Hydraulically (Size 0 ... 3) | | | | Pneumatically (Size 1, 2, 3) | | |
|--|-----|--|-----|-----|-----|---|-----|-----|
| Control medium | | Oil | | | | Compressed air, filtered and oiled | | |
| Coding | | H... | | | | P... | | |
| | |  | | | |  | | |
| Size | | 0 | 1 | 2 | 3 | 1 | 2 | 3 |
| Control pressure (bar) | max | 500 | 700 | 500 | 400 | 15 | | |
| | min | 16 | 12 | 9 | 9 | 4 | 2.5 | 2.5 |
| Control volume (cm ³) | | 0.2 | 0.4 | 0.7 | 6.1 | 1 | 2.5 | 7 |
| All dimensions are in mm and are subject to change without notice! | D | 32 | 39 | 49 | 60 | 39 | 49 | 60 |
| | H | 44 | 36 | 52 | 77 | 36 | 39 | 52 |
| | a/f | 27 | 27 | 32 | 41 | --- | --- | --- |
| Temperature (ambient and control medium) | | -40 to + 80°C | | | | -20 to + 70°C | | |

4.3 Mechanical actuation

The actuation element is a pin (tracer) with spring return, which may be used either directly for vertical directions of operation or via a roller lever for lateral directions. The valve is in working position **a** if the actuation element is forced into the hatched area of the lever path.

| Actuation mode | | Roller lever (Size 1, 2, 3) | | | Feeler pin (Size 1 and 2) | |
|--|--------------------------|--|------------|------------|---|----------|
| Code letter | | K... | | | T... | |
| Dimensional drawing | |  | | |  | |
| Size | | 1 | 2 | 3 | 1 | 2 |
| Switching force range | | s (N) | 25 to 28 | 42 to 47 | 55 to 80 | 51 to 57 |
| Switching path (mm) | Start of function | (H + h) | 38.5 ± 0.5 | 46.5 ± 0.5 | 76 ± 0.5 | --- |
| | Function path | h | 10.5 ± 0.5 | 15.5 ± 0.5 | 30 ± 0.5 | 4 |
| | Switching position range | s | 3 ± 0.5 | 4 ± 0.5 | 6 ± 0.5 | --- |
| All dimensions are in mm and are subject to change without notice! | | D | 39 | 49 | 60 | 39 |
| | | d | 25 | 25 | 35 | 18 |
| | | H | 28 | 31 | 46 | 20.5 |
| | | H1 | --- | --- | --- | 16.5 |
| | | a | 42 | 41 | 62.5 | --- |
| | | b | 21 | 21 | 26 | --- |
| | | c | 12 | 12 | 15 | --- |

4.4 Manual actuation

Feeler lever coding F: The actuation element is a feeler lever which acts on a spring loaded pin. Switching position a is retained as long as the feeler lever is pressed down within the hatched area.

Turn knob coding D: This actuation element is with detent. Switching position a or 0 alternate as the knob is turned by 90°. The direction of rotation is arbitrary.

| Actuation mode | | Feeler lever (size 1, 2, 3) | | | Turn knob (size 0, 1, 2) | | |
|--|-----------|-----------------------------|----------|----------|--------------------------|-----|-----|
| Code letter | | F... | | | D... | | |
| Dimensional drawing | | | | | | | |
| Size | | 1 | 2 | 3 | 0 | 1 | 2 |
| Actuation force in the range | s (N) | 25 to 28 | 42 to 47 | 55 to 80 | --- | --- | --- |
| Switching torque | (Ncm) | --- | --- | --- | 45 | 63 | 98 |
| Actuation travel (mm) | h_{max} | 20.5 | 23.5 | 45 | --- | --- | --- |
| | s | 3.5 | 4 | 10 | 3.5 | 3.5 | 5 |
| All dimensions are in mm and are subject to change without notice! | D | 39 | 49 | 60 | --- | --- | --- |
| | H | 37 | 43 | 70 | 38 | 40 | 47 |
| | B | 34.5 | 32 | 56.5 | 43 | 43 | 52 |

4.5 Seal kits

These seal kits contain the O-rings listed in sect. 3.3 and additional parts and seals. For more detailed information, see spare parts lists E 7300-0, E 7300-1, E 7300-2, E 7300-3 and E 7300-4.

| Flow pattern | Size | Seal kit for actuation | |
|--|------|------------------------|-----------------------------------|
| | | G, WG, K, T, F and D | H and P |
| ..R2 ..S2 ..3 ..Z3 ..4 ..Z4 | 0 | 1 x DS 7300-01 | 1 x DS 7300-01 1 x DS 7300-03 |
| | 1 | 1 x DS 7300-11 | 1 x DS 7300-11 1 x DS 7300-13 |
| | 2 | 1 x DS 7300-2N | 1 x DS 7300-2N 1 x DS 7300-23 |
| | 3 | 1 x DS 7300-31 | 1 x DS 7300-31 1 x DS 7300-34 |
| | 4 | 1 x DS 7300-41 | |
| ..21 | 0 | 1 x DS 7300-02 | 1 x DS 7300-02 2 x DS 7300-03 |
| | 1 | 1 x DS 7300-12 | 1 x DS 7300-12 2 x DS 7300-13 |
| | 2 | 1 x DS 7300-21N | 1 x DS 7300-21N 2 x DS 7300-23 |
| | 3 | 1 x DS 7300-32 | 1 x DS 7300-32 2 x DS 7300-34 |
| | 4 | 1 x DS 7300-42 | |
| ..22 | 0 | 1 x DS 7300-02 | 1 x DS 7300-02 2 x DS 7300-03 |
| | 1 | 1 x DS 7300-12 | 1 x DS 7300-12 2 x DS 7300-13 |
| | 2 | 1 x DS 7300-22 | 1 x DS 7300-22 2 x DS 7300-23 |
| | 3 | 1 x DS 7300-33 | 1 x DS 7300-33 2 x DS 7300-34 |

5. Individual valve with connection sub-plate

All ports of the 2/2-, 3/2-, 3/3- and 4/3-way directional seated valves acc. to section 3 are designed as holes with O-ring sealing at the ground bottom of the valve body. These valves have to be completed with sub-plates or customer furnished manifolds to enable pipe connection.

5.1 Available versions, main data

Order example: GR 2-2 - **1/2S** - G 12 - **220**

Valve coding acc. to sect. 3 Desired pressure setting in bar (Pressure range depending on spring, see ②)

| Coding | Ports conforming ISO 228/1 ¹⁾ (BSPP) | Available for size | Flow pattern overview | | | | | |
|--|---|--------------------|----------------------------|---|---------------|--|---------------|--|
| | | | 2/2-way valve | 3/2-way valve | 3/3-way valve | 4/2-way valve | 4/3-way valve | |
| ① Connection block without additional features | -1/4 | G 1/4 | 0 and 1 | | | | | |
| | -3/8 ²⁾ | G 3/8 | 1 and 2 | | | | | |
| | -1/2 | G 1/2 | 2 and 3 | | | | | |
| | -3/4 | G 3/4 | 3 and 4 | | | | | |
| | -1 | G 1 | 4 | | | | | |
| Suited for connection in series and in parallel, if the perm. pressure stated in section 3.2. „Operation pressure“ for P, A, B and R are not exceeded. | | | | | | | | |
| ② Connection with pressure limiting valve ...S tool adjustable ...SR manually adjustable | -1/4 S(R) | G 1/4 | 0 and 1 | | | The connection block with pressure limiting valve is not available for 3/3- and 4/3-way directional valves! The pressure specification in the order coding determines the pressure range of the spring (size 0) and additionally the valve seat dimension for size 1 and 2. | | |
| | -3/8 S(R) | G 3/8 | 1 and 2 | | | | | |
| | -1/2 S(R) | G 1/2 | 2 | | | | | |
| | Not available for other sizes ! | | | | | | | |
| | Pressure range | Coding | Valve size | Press. (bar) | | | | |
| | -1/4 S(R) | 0 | (0) ... 350 (0) ... 500 | | | | | |
| | | 1 | (0) ... 100 (0) ... 200 | | | | | |
| | -3/8 S(R) | 1 and 2 | (0) ... 200 (0) ... 400 | | | | | |
| | -1/2 S(R) | 2 | (0) ... 700 | | | | | |
| Port R may be used only for unpressurized return flow to ensure proper function of the pressure reducing valve. Parallel connection of additional valves is only permissible with sub-plates acc. to ① but not with sub-plates acc. to ② | | | | | | | | |
| ③ Connection block with by-pass check valve Not available for other sizes ! | -1/4 C | G 1/4 | 0 and 1 | This connection block is only available for 2/2-way directional valves! P _{max} (bar) and Q _{max} (lpm) are determined by the installed valve. | | | | |
| | -3/8 C | G 3/8 | 1 and 2 | | | | | |
| | -1/2 C | G 1/2 | 2 | | | | | |
| | -3/4 C | G 3/4 | 3 | | | | | |
| A by-pass check valve (RK 3 acc. to D 7445) is required to enable flow R→P. Pressure surges (decompression) in flow direction R→P should be avoided ! For pressure rating of R, see sect. 3.2. | | | | | | | | |
| ④ Connection block with rectifier circuit by means of check valves | -1/4 G | G 1/4 | 0 and 1 | This connection block is only available for 2/2-way directional valves! P _{max} (bar) and Q _{max} (lpm) are determined by the installed valve. | | | | |
| | -3/8 G | G 3/8 | 2 | | | | | |
| | -1/2 G | G 1/2 | 3 | | | | | |
| | -3/4 G | G 3/4 | 4 | | | | | |
| | Version with G 1 is not available | | | | | | | |
| The rectifier circuit by means of check valves enables both flow directions for the 2/2-way valves. Therefore the port codings P and R are not stamped on the sub-plate. | | | | | | | | |

1) For male pipe fittings with journals shape B DIN 3852 page 2.

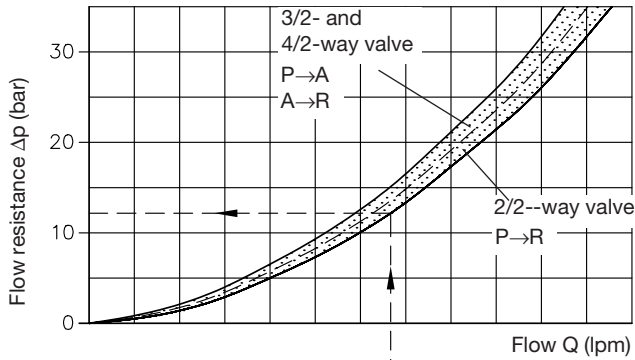
2) Not available for flow pattern 4 and Z4 (table 1)

5.2 $\Delta p - Q$ - curves

Guideline for valve including sub-plate and a fluid viscosity of approx. 60 mm²/s

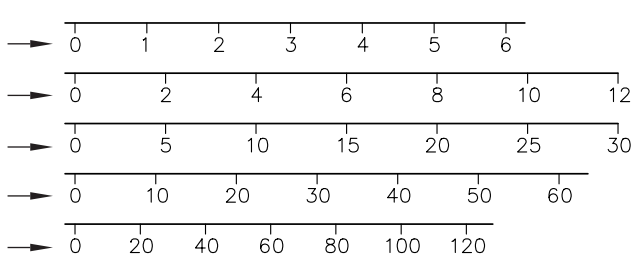
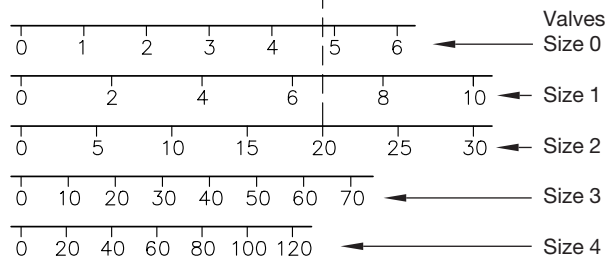
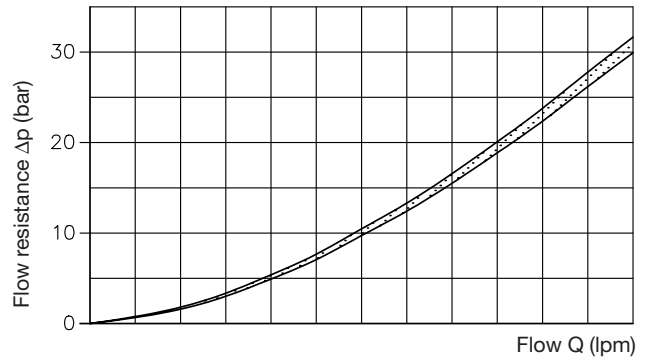
Flow direction P → R

sub-plates ①, ② and ③



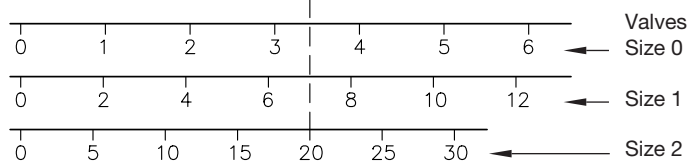
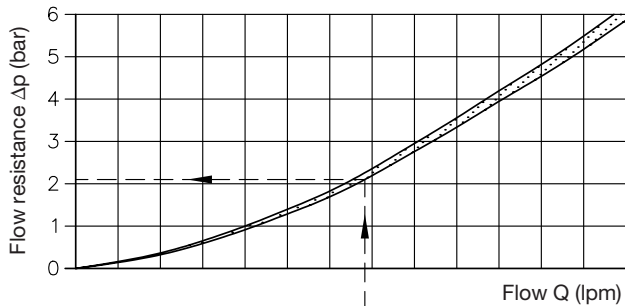
Flow direction P → R (R → P)

sub-plates ④



Flow direction R → P

sub-plates ③



Example:

A flow of 20 l/min is applied to valve type GR 2-2-1/2C (sub-plate ③)

$\Delta p_{P \rightarrow R} \approx 12 \dots 14$ bar acc. to table ;

$\Delta p_{R \rightarrow P} \approx 2$ bar acc. to table

5.3 Unit dimensions

All dimensions are in mm and are subject to change without notice!

5.3.1 Connection sub-plates acc. to ① and ③

2/2- and 3/2-way valves

Attention: Port A is alsolete with 2/2-way valves, for all other dimensions see 3/2-way valve.

Size 0 and 1

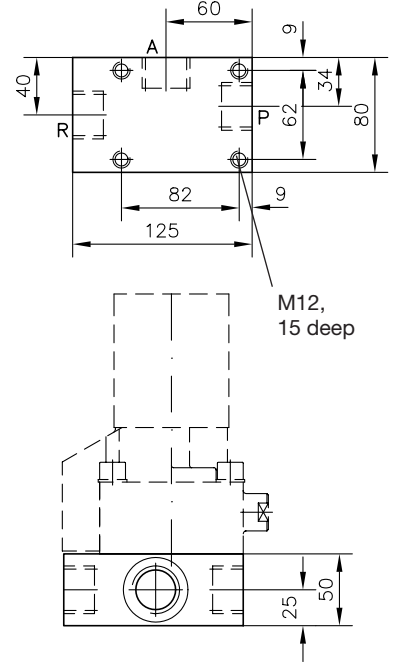
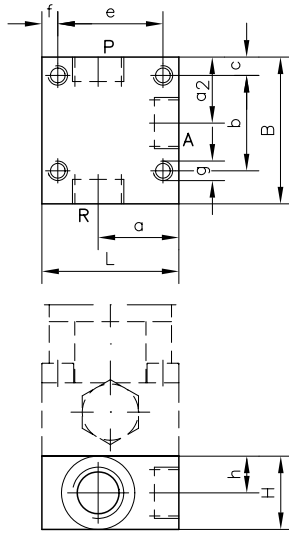
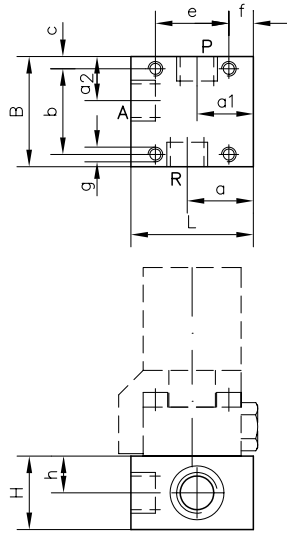
Type: ..-1/4(C) or ..-3/8(C)
e.g. GZ 3-1-1/4C-G 24

Size 2 and 3

Type: ..-3/8(C); ..-1/2(C); ..-3/4(C)
e.g. WG 3-3-1/2-G 24

Size 4

Type: ..-3/4 or ..-1
e.g. GS 2-4-1-G 24

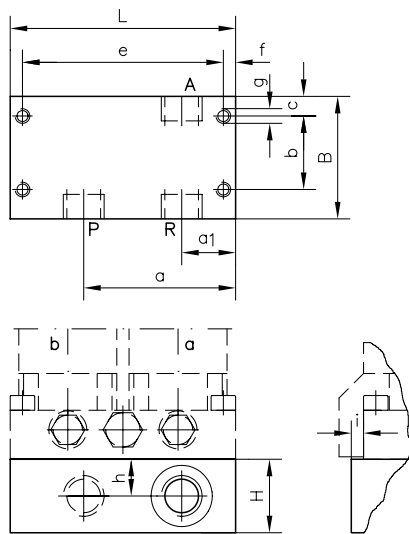


| Size | Port P, R a. A | L | B | H | a | a1 | a2 | b | c | e | f | g | h |
|------|-------------------|----|----|----|----|----|----|----|-----|----|-----|------------|------|
| 0 | G 1/4 * | 40 | 36 | 25 | 16 | 16 | 18 | 28 | 4 | 24 | 4 | M5, 6 deep | 12.5 |
| 1 | G 1/4 * | 50 | 45 | 30 | 29 | 21 | 20 | 35 | 5 | 30 | 10 | M6, | 15 |
| | G 3/8 * | 50 | 45 | 30 | 27 | 23 | 18 | 35 | 5 | 30 | 10 | 10 deep | 15 |
| 2 | G 3/8 * | 56 | 60 | 30 | 33 | -- | 33 | 39 | 5.5 | 43 | 6.5 | M8, | 15 |
| | G 1/2 * | 56 | 60 | 30 | 33 | -- | 27 | 39 | 7.5 | 43 | 6.5 | 10 deep | 15 |
| 3 | G 1/2 * | 70 | 80 | 40 | 43 | -- | 40 | 54 | 18 | 54 | 8 | M10, | 20 |
| | G 3/4 * | 70 | 80 | 40 | 41 | -- | 40 | 54 | 18 | 54 | 8 | 10 deep | 20 |

* (BSPP)

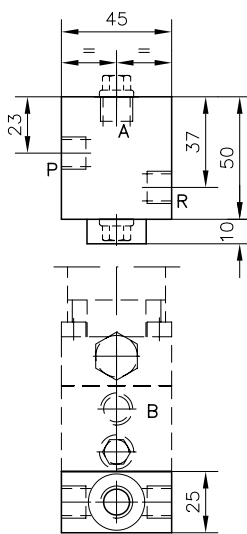
3/3-way valve

Type: ..21-0-1/4
to
..21-4 - 1
e.g. WG 21-2-3/8-WG 230



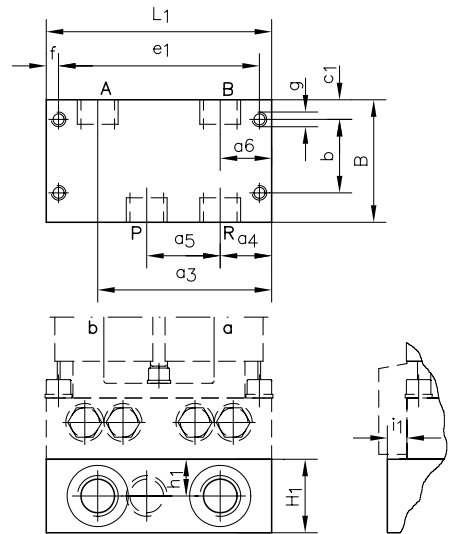
4/2-way valve

Type: ..4-1-1/4
..Z4-1-1/4
e.g. G 4-1-1/4-G 24



4/3-way valve

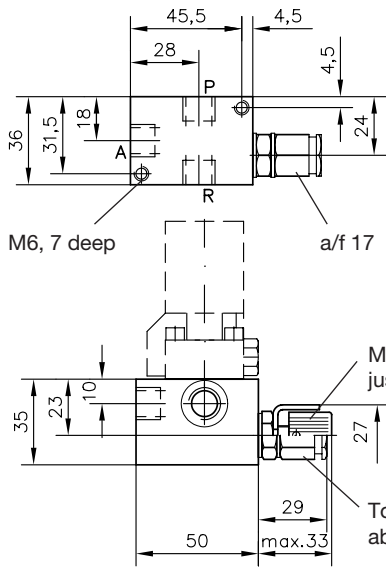
Type: ..22-0-1/4
to
..22-4 - 1
e.g. G 22-1-1/4-G 24



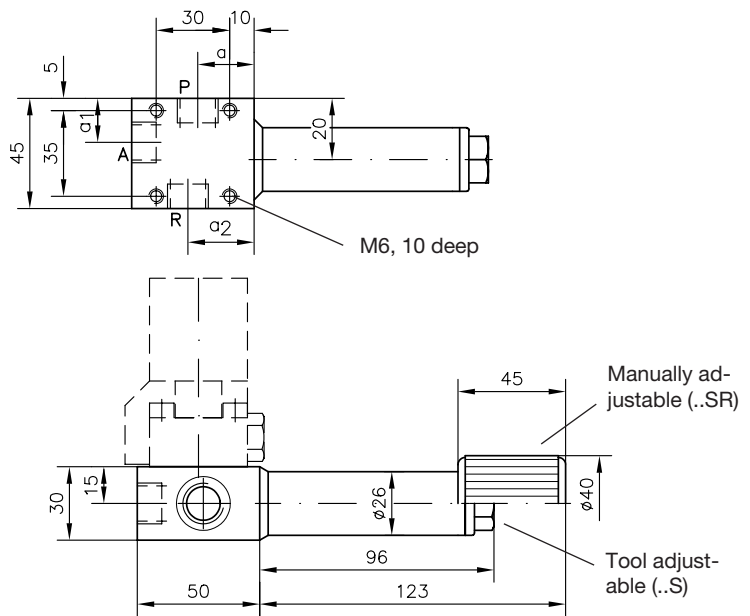
| Size | L | L1 | B | H | H1 | a | a1 | a2 | a3 | a4 | a5 | a6 | b | c | c1 | e | e1 | f | g | h | h1 | i | i1 |
|------|-----|-----|-----|----|----|-----|----|----|------|----|----|------|----|------|------|-----|-----|-----|--------------|------|----|------|-----|
| 0 | 75 | 75 | 40 | 25 | 25 | 50 | 20 | 30 | 56.5 | 15 | 25 | 18.5 | 24 | 8.5 | 9 | 66 | 66 | 4.5 | M5, 6 deep | 12.5 | 14 | 12.5 | 7.5 |
| 1 | 92 | 92 | 50 | 30 | 30 | 62 | 22 | 22 | 71 | 21 | 30 | 21 | 30 | 7 | 7 | 82 | 82 | 5 | M6, 10 deep | 15 | 15 | 8 | 8 |
| 2 | 116 | 116 | 60 | 30 | 30 | 81 | 31 | 31 | 88 | 24 | 38 | 28 | 39 | 12.5 | 12.5 | 103 | 103 | 6.5 | M8, 10 deep | 15 | 15 | 3 | 3 |
| 3 | 144 | 144 | 80 | 40 | 40 | 92 | 46 | 52 | 110 | 29 | 43 | 34 | 54 | 18 | 18 | 128 | 128 | 8 | M10, 12 deep | 20 | 20 | 10 | 10 |
| 4 | 162 | 182 | 100 | 63 | 63 | 106 | 40 | 56 | 141 | 31 | 60 | 41 | 82 | 9 | 9 | 144 | 164 | 9 | M12, 12 deep | 38 | 38 | 0 | 0 |

5.3.2 Connection sub-plates acc. to ②

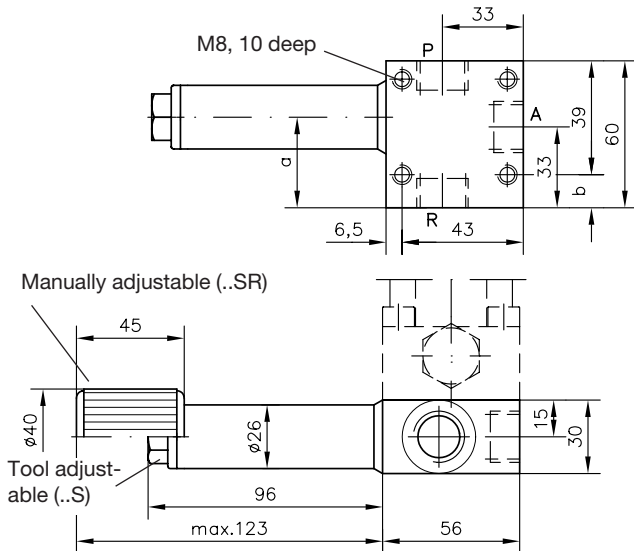
Size 0 Type: ...-1/4 S(SR)



Size 1 Type: ...-1/4 S(SR); ...-3/8 S(SR)



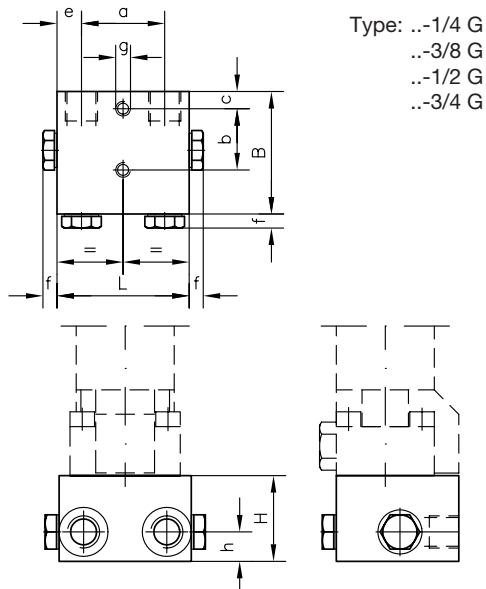
Size 2 Type: ...-3/8 S(SR); ...-1/2 S(SR)



| Size | Port P, R and A | a | a1 | a2 | b |
|------|--------------------|----|----|----|------|
| 0 | G 1/4 * | -- | -- | -- | -- |
| 1 | G 1/4 * | 21 | 20 | 29 | -- |
| | G 3/8 * | 23 | 18 | 27 | -- |
| 2 | G 3/8 * | 30 | -- | -- | 15.5 |
| | G 1/2 * | 37 | -- | -- | 13.5 |

* (BSPP)

5.3.3 Connection sub-plates acc. to ④



| Size | L | B | H | a | b | c | e | f | g | h |
|------|-----|-----|----|----|----|----|------|------|-----------------|----|
| 0 | 44 | 50 | 30 | 24 | 30 | 10 | 10 | 9 | M5, 5 deep | 14 |
| 1 | 54 | 50 | 35 | 34 | 25 | 7 | 10 | 9 | M6, 10 deep | 12 |
| 2 | 60 | 60 | 40 | 35 | 30 | 8 | 12.5 | 9 | M8, 10 deep | 14 |
| 3 | 80 | 80 | 50 | 46 | 40 | 10 | 17 | 10,5 | M10, 10 deep | 18 |
| 4 | 100 | 112 | 63 | 55 | 50 | 15 | 22.5 | 4 | M12, 15 deep | 21 |

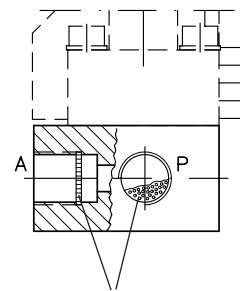
6. Appendix

6.1 Protection of directional seated valves against coarse contamination

Directional seated valves are rather insensitive to ultra fine contamination always evident in hydraulic fluids. Nevertheless directional seated valves are fitted with screen filter elements with 0.25 mm mesh width to prevent sudden disturbance caused by coarse contaminations that may occasionally be carried along in the oil (such as torn off particles of tubing, packing, scale swarf,) and which otherwise might get trapped at the valve seat gap.

The sub-plates for individual valves (sect. 5) are fitted with fine screen filter discs HFC 1/4F 1 or HFC 3/8 (acc. to D 7235) as standard at A and B with size 0, additionally in P with size 1. Valves size 2, 3 and 4 with port size G 3/8 *, G 1/2 * and G 3/4 * may be retrofitted-. These screen filters are not available for G 1 *. (* BSPP)

These screen filter elements must not be understood as a replacement for usual hydraulic filters. In practice, however, they provide sufficient protection against malfunctions in small hydraulic systems. If such malfunctions should occur, the filter elements should be checked first. For the sake of simplicity, these filter elements are not explicitly shown in the diagrams.



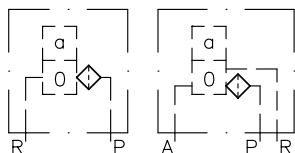
Screen filter elements type HFC acc. to D 7235

Symbols

Individual valves acc. to section 3:

2/2-way valve

3/2-way valve



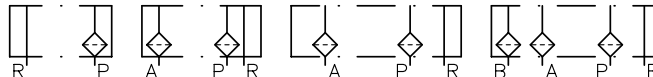
Connection sub-plates acc. to section 5:

2/2-way valve

3/2-way valve

3/3-way valve

4/2- and 4/3-way valve



6.2 Versions for special fluids

- HFA (water / glycol solution, conforming VDMA 24317)
The functionally essential parts are of stainless steel or tuffrided to prevent corrosion (valve balls, valve seat, actuation pin etc.). The valve body (size 3), external parts e.g. tapped plugs etc. are zinc galvanized.
There are only 2/2-, 3/2- and 4/2-way directional seated valves available with flow pattern R2, S2, 3, a, Z3, 4, Z4 (see table 1 in sect. 3.1)

Type coding: G 3-1-G 24 **HFA**

| Size | Pressure P_{max} (bar) | Flow $Q_{perm.}$ (lpm) approx. with reflow back pressure | | Note: |
|------|--------------------------------|--|-------|--|
| | | 1 bar | 2 bar | |
| 0 | 400 | 3 | 4 | A slight compensating force in the return pipe may be created by installing the tank at the highest possible location within the system. |
| 1 | | 5 | 6 | |
| 2 | | 14 | 18 | |
| 3 | | 36 | 45 | |

Throttles (cascade type or a coiled, small diameter pipe) should be installed at the pressure inlet to limit the flow down to permissible values for the applied pressure. This is to prevent cavitation and applies to all valves with return connection (3/2- und 4/2-way valves and 2/2-way valve as by-pass to the tank) or valves in circuits connected to an accumulator.

- Brake fluid based on glycol
Versions equipped with EPDM (Ethylenpropylendien-rubber) seals suited for glycol based brake fluid or other special fluids.
Type coding: GR 2-2-G 24 **AT**
- Versions equipped with FKM (flour rubber, Viton) seals suited for some HFD type fluids (fire inhibiting, conforming VDMA 24317)
Type coding: WGS 2-0-WG 230 **PYD**

7. Mass (weight) approx. in kg

Basic valve complete with actuation acc. to section 3 and 4

| Actuation mode | Type | 2/2- and 3/2-way valve size | | | | | 3/3-way valve size | | | | | 4/3-way valve size | | | | 4/2-way valve size | |
|----------------|-----------|-----------------------------|------|-----|-----|-----|--------------------|-----|-----|-----|------|--------------------|-----|-----|-----|--------------------|-----|
| | | 0 | 1 | 2 | 3 | 4 | 0 | 1 | 2 | 3 | 4 | 0 | 1 | 2 | 3 | 1 | |
| Electrical | G.. | 0.4 | 0.65 | 1.2 | 3.1 | 7.2 | 0.8 | 1.4 | 2.9 | 5.9 | 16.3 | 0.9 | 1.6 | 3.0 | 6.0 | 1.9 | |
| | WG.. | 0.4 | 0.7 | 1.2 | 3.1 | 7.2 | 0.8 | 1.5 | 2.9 | 5.9 | 16.3 | 0.9 | 1.7 | 3.1 | 6.0 | 2.0 | |
| Hydraulic | H.. | 0.4 | 0.5 | 1.1 | 2.8 | -- | 0.8 | 1.1 | 2.7 | 5.2 | -- | 0.8 | 1.3 | 2.8 | 5.3 | 1,8 | |
| Pneumatic | P.. | 0.4 | 0.4 | 0.9 | 2.2 | -- | -- | 0.9 | 2.3 | 4.1 | -- | -- | 1.1 | 5.4 | 4.2 | 1.7 | |
| Mechanical | Act. roll | K.. | -- | 0.4 | 0.8 | 2.0 | -- | -- | 0.9 | 2.1 | 3.7 | -- | -- | 1.1 | 5.2 | 3.8 | 1.7 |
| | Act. pin | T.. | -- | 0.4 | 0.8 | -- | -- | -- | 0.8 | 2.1 | -- | -- | -- | 1.0 | 5.2 | -- | 1.6 |
| Manual | Lever | F.. | -- | 0.4 | 0.8 | 2.0 | -- | -- | 0.9 | 2.1 | 3.7 | -- | -- | 1.1 | 5.2 | 3.8 | 1.7 |
| | Turn knob | D.. | 0.4 | 0.4 | 0.9 | -- | -- | 0.8 | 0.9 | 2.2 | -- | -- | 0.8 | 1.1 | 5.3 | -- | 1.7 |

Connection sub-plates acc. to section 5

Connection block only, for weight of the directional seated valves see above!

| | Size | | | | |
|---|------|-----|-----|-----|-----|
| | 0 | 1 | 2 | 3 | 4 |
| Simple connection block ① | 0.2 | 0.5 | 1.0 | 1.2 | 3.8 |
| Connection block ② with pressure limiting valve | 0.4 | 1.2 | 1.6 | -- | -- |
| Connection block ③ with by-pass check valve | 0.2 | 0.5 | 1.0 | -- | -- |
| Connection block ④ with rectifying circuit by means of check valves | 0.5 | 0.7 | 1.0 | 2.4 | 4.7 |

8. Type overview

G R2 - 2 R - G 24

WG 3 - 1 -1/2S - WG 110 - 230

H 22 - 3

Solenoid voltage (standard)

Additional information (option)
e.g. special voltage, special fluids, pressure setting (sect. 4.1; 5.1; 6.2)

Connection sub-plates (option), see sect. 5

-1/4, -3/8, -1/2, -3/4, -1 Simple connection block

-1/4S, -3/8S, -1/2S Connection block with pressure limiting valve

-1/4SR, -3/8SR, -1/2SR Connection block manually adjustable pressure limiting valve

-1/4C, -3/8C, -1/2C, -3/4C Connection block with by-pass check valve (2/2-directional valves only)

-1/4G, -3/8G, -1/2G, -3/4G Connection block with rectifying circuit by means of check valves (2/2-directional valves only)

Additional elements (option), see sect. 3.1

R Check valve in port P

B Orifice in port P

S Return pressure stop in port R (size 0 and 1 only)

RS, BS Combination of check valve or orifice with return pressure stop (size 0 and 1 only)

Size
0, 1, 2, 3, 4

Flow pattern

R2, S2 2/2-way valves

3, Z3 3/2-way valves

21 3/3-way valves

22 4/3-way valves (not for size 4)

4, Z4 4/2-way valves (size 1 only)

Actuation

G Solenoid, DC version

WG Solenoid, AC version (50/60 Hz)

H Hydraulic (not avail. size 4)

P Pneumatic (not avail. for size 0 and 4)

K Roll (not avail. for size 0 and 4)

T Pin (not avail. for size 0, 3 and 4)

F Key levers (not avail. for size 0 and 4)

D Turn knob (not avail. for size 3 and 4)