

Directional spool valves type DL and DLS



Basic type	DL, DLS
Nomenclatura	Throttling spool valve
Oper. pressure	250 ... 315 bar
Flow	12 ... 90 lpm
Version	Valve bank with integrated bypass idle pump circulation circuit

The manually actuated directional spool valves type DL control the direction of movement of single- and double acting consumers. The speed is control via variation of the throttling degree for the pump circulation (bypass circulation). Areas of application are simple control of lifting devices and industrial trucks, e.g. fork-lifts, cranes.

The valves are available either with manual or pneumatic actuation. A shielded version of the spring centered manual actuation which protects it during rough operation, is also available Type DLS is primarily used on industrial trucks.

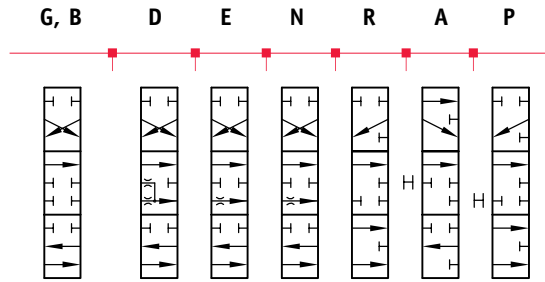
Features and benefits

- Favorable performance/price ratio
- Compact design
- Maximum operation pressure up to 315 bar
- 4 sizes available
- Maximum flow up to 90 lpm
- Valve banks consisting of up to 10 sections
- Intermediate plates and add-on blocks with additional functions
- Various additional functions
- 3/3- and 4/3- way directional spool valve, various flow pattern
- Special variants on request

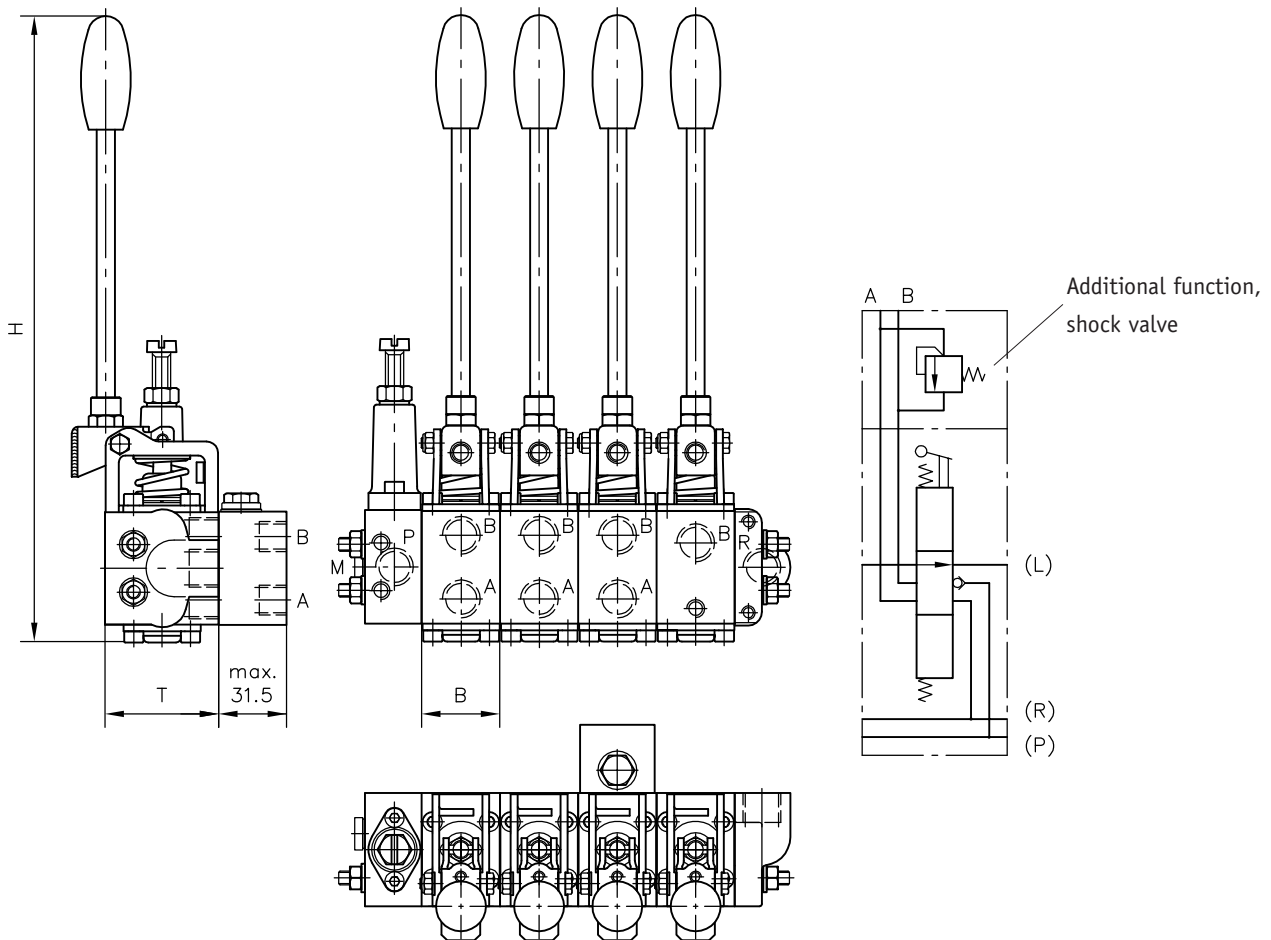
Technical data

Basic type	DL1 DLS1	DL2 DLS2	DL3 DLS3	DL4
Oper. pressure (bar)	315	315	250	250
Flow (lpm)	12 ... 16	20 ... 30	30 ... 60	90

Symbols



Type DL 21-2



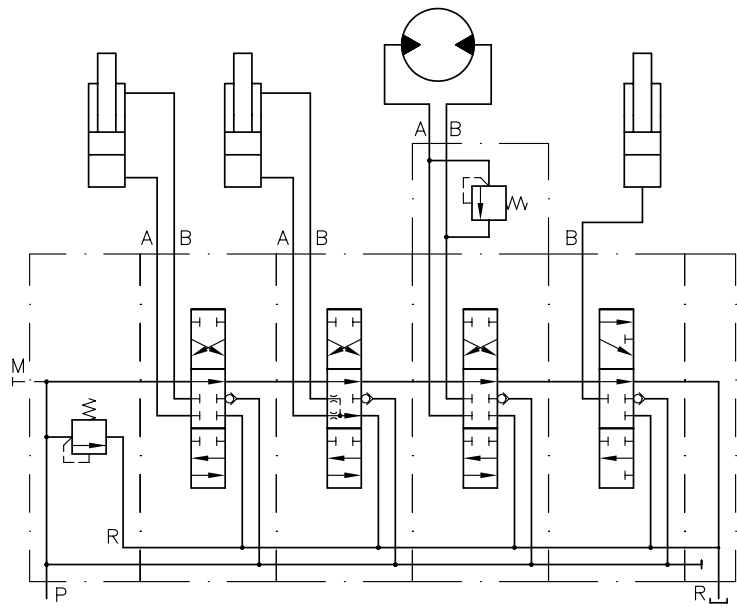
Basic type	DL1 DLS1	DL2 DLS2	DL3 DLS3	DL4
H	approx. 192	approx. 278	approx. 351	approx. 368
B	31.5	34.5	39.5	39.5
T	45	50	60	70

All dimensions in mm, subject to change without notice !

Example circuit

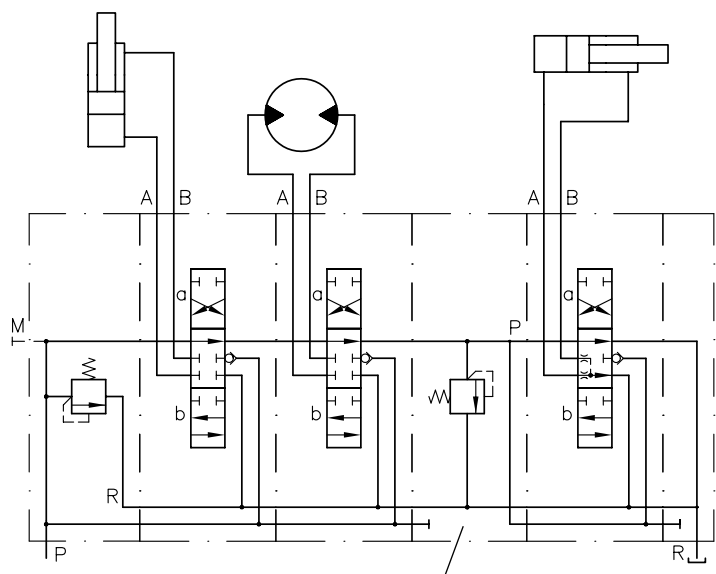
Order example for this circuit

DL21-2-GDG71A-B/E1-2-180



Order example for this circuit

DL31-3-GGX1D-B/E1-2-210



Second pressure stage

Additional information related to this topic

- Product overview K 177
- Directional spool valve banks type DL and DLS D 7260
- Directional spool valve banks especially for stackers
type DLSR (size 2 and 3) D 7260 SR
- Prop. directional spool valve type PSL and PSV (size 3) D 7700-3
- Prop. directional spool valve type PSL and PSV (size 5) D 7700-5
- Prop. directional spool valve type PSLF and PSVF D 7700 F
- Over-center valves type LHK D 7100
- Over-center valves type LHT D 7918
- Pressure limiting and sequence valves
type MV, DMV, SVC etc. D 7000/1
- Sequence valves type VR D 7340
- Drop-rate braking valves type SB and SQ D 6920
- Drop-rate braking valves type DSJ D 7825



HAWE Hydraulik SE
Streitfeldstraße 25
D-81673 München
Tel. +49 89 37 91 00-0
Fax +49 89 37 91 00-12 69
info@hawe.de
<http://www.hawe.de>

Solutions for a World under Pressure

HAWE
HYDRAULIK