

Compact hydraulic power packs type KA 4 and KAW 4 for short-term and intermittent service for 3~ and 1~phase power supply, as single or dual circuit pumps



Flow Q_{max} = 19.9 lpm (1450 rpm)
Operating pressure p_{max} = 700 bar

1. Design and general information

1.1 Basic design

The compact hydraulic power pack type KA serves to supply pressurized fluid for intermittently or short-term operated hydraulic circuits.

The basic hydraulic power pack consists:

- the tank (available in different sizes)
- the drive motor (available for different voltages and power requirements)
- the radial piston or gear pump directly driven by the motor shaft

The compact style obtained with this design represents an essential advantage opposite conventional units. Complete turn-key solutions can be easily arranged via a wide range of connection blocks (see D 6905 ++) and directly mountable valve banks (see photo).

There is a wide field of applications for these compact power packs within tool machines, jig assemblies and general mechanical engineering.

The power pack is suited for operation modes S2 (short time service) and S3 (intermittent service). The load can be up to 1.8 of the nom. power rating during these operation modes.

Order example

KA 44 STF/H 5,1
 - A 3 F 3 /250
 - BA 2
 - NBVP 16 G/3
 - NBVP 16 Z/3
 - NBVP 16 G/3
 - NBVP 16 D/3
 - 880 - G24
 - AC 603 /3
 - AC 603 /3
 3x400 V 50 Hz - 2.2 kW

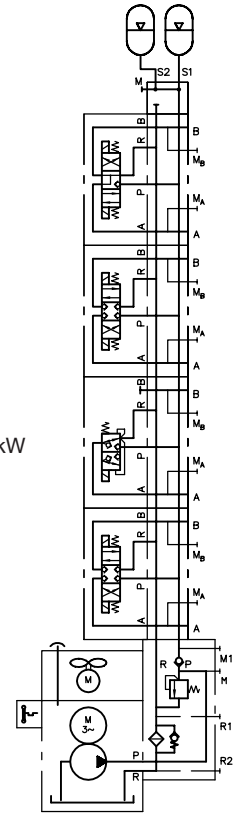
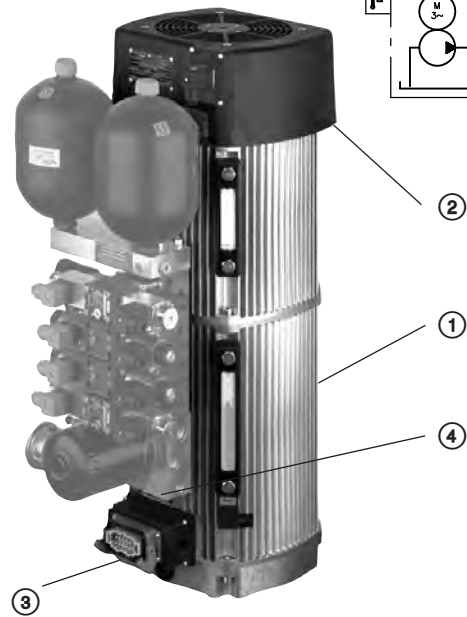


Table of contents

1. General information	1
1.1 Basic design	1
2. Available versions	2
2.1 Motor and tank section	2
2.2 Pump section	4
2.2.1 Single circuit pumps	4
2.2.2 Dual circuit pumps	13
3. Additional parameters	14
3.1 General	14
3.2 Hydraulic	15
3.3 Electrical	15
4. Dimensions	19
4.1 Mounting hole pattern	19
4.2 Basic pump	20
4.3 Electrical and hydraulic connections	24
5. Appendix	26
5.1 Notes regarding selection	26
5.2 Assembly information	30
5.2.1 Transport information	30
5.2.2 Identification	31
5.2.3 Installation and attachment	31
5.2.4 Electrical connection and selection of the motor circuit-breaker	31
5.2.5 Instructions for securing the EMV	31
5.3 Operating instructions	32
5.3.1 Commissioning	32
5.4 Maintenance information	33
5.4.1 Maintenance	33
5.5 Disposal information	33
6. Additional information	33
6.1 Declaration of incorporation according to Machinery Directive 2006/42/EC	33
6.2 Declaration of conformity according to Low-Voltage Directive 2006/95/EC	33
6.3 UL-compliant stators	33



Design

- ① Tank with pressed in stator
- ② Auxiliary blower
- ③ Terminal box
- ④ Connection pedestal with one (single circuit pump) or two pressure ports (dual circuit pump) and one return port.

Further technical information:

Compact hydraulic power pack type KA 2	D 8010
Compact hydraulic power pack type HC	D 7900
Compact hydraulic power pack type HCG	D 7900 G
Compact hydraulic power pack type NPC	D 7940
Compact hydraulic power pack type MPN	D 7207
Compact hydraulic power pack type HK	D 7600 ++

2. Available versions, type coding

2.1 Motor and tank section

Order examples:

KA 44 S KS E/H5,1 - A 1/280 - 3x400V 50 Hz - 2.2 kW
KA 404 22 L1 KTF P/Z 8,8 -... - 3x400V 50 Hz - 0.75 kW /24V DC - G 1/2 x 300

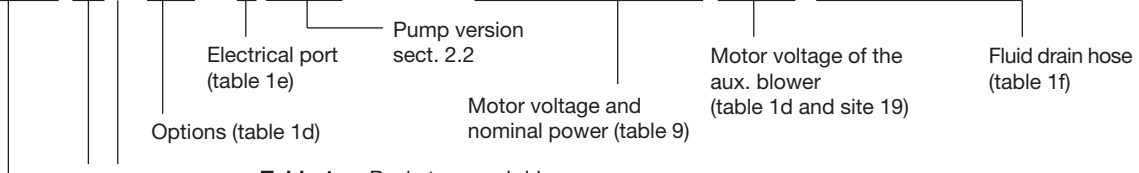


Table 1a: Basic type and drive power

Tank size table 1c	Coding	For more detailed information about motor data and available voltage, see table 9 in sect. 3.3		
			Power (kW)	Speed (min ⁻¹)
Note: A actual power consumption is load dependent and can be up to 1.8 x nominal power. 1) Only available with tank coding 2, 22, and 3 acc. to table 1b	KA 42	3~phase motor (2-pole)	2.4	2790 (50 Hz)
			2.88	3340 (60 Hz)
	KA 44	3~phase motor (4-pole)	1.5	1410 (50 Hz)
			1.8	1690 (60 Hz)
			2.2	1405 (50 Hz)
			2.64	1700 (60 Hz)
			3.0	1410 (50 Hz)
			3.6	1700 (60 Hz)
			4.0 ¹⁾	1400 (50 Hz)
			4.8 ¹⁾	1695 (60 Hz)
	KA 402	3~phase motor (2-pole)	0.55	2790 (50 Hz)
			0.66	3350 (60 Hz)
	KA 402	3~phase motor (2-pole)	1.1	2790 (50 Hz)
			1.32	3350 (60 Hz)
	KA 404	3~phase motor (4-pole)	0.37	1360 (50 Hz)
			0.44	1650 (60 Hz)
	KA 404	3~phase motor (4-pole)	0.75	1360 (50 Hz)
			0.9	1650 (60 Hz)
	KA 402	3~phase motor (2-pole)	1.4	2790 (50 Hz)
1.68			3340 (60 Hz)	
KA 404	3~phase motor (4-pole)	1.0	1370 (50 Hz)	
		1.2	1660 (60 Hz)	
KAW 402	1~phase motor (2-pole)	0.37	2770 (50 Hz)	
			3340 (60 Hz)	
KAW 402	1~phase motor (2-pole)	0.75	2810 (50 Hz)	
			3400 (60 Hz)	
KAW 404	1~phase motor (4-pole)	0.25	1380 (50 Hz)	
			1650 (60 Hz)	
KAW 404	1~phase motor (4-pole)	0.50	1390 (50 Hz)	
			1680 (60 Hz)	
KAW 402	1~phase motor (2-pole)	1.10	2770 (50 Hz)	
			3340 (60 Hz)	
KAW 404	1~phase motor (4-pole)	0.7	1370 (50 Hz)	
			1650 (60 Hz)	

Table 1b: Tank size

① Connection pedestal, valve assembly, terminal box, options

	Coding	Combination	Filling volume V _{fill} (l)	Usable filling volume vertically V _{usable} (l)	Usable filling volume horizontal V _{usable} (l)
Tank size	no coding		13	5	6
	2		22	15	11
	02		22	-	11
	22		31	-	16
	3		31	25	16

Table 1c: Installation position

① Connection pedestal, valve assembly, terminal box, ② Filler neck with breather filter, ③ Fluid level gauge

vertically				horizontal			
S	S14	S25	S36	L	L1	L4	L14
Standard	Top and bottom end cover off-set by 90°	Top and bottom end cover off-set by 180°	Top and bottom end cover off-set by 270°	Standard	Connection pedestal off-set by 90°	Type plate and fluid level gauge ③ "rear side"	Combination L1 plus L4
<p>Note:</p> <ul style="list-style-type: none"> - The horizontal version can be also installed vertically. - The vertical version utilizing a radial piston pump (coding H, HH and HZ acc. to sect. 2.2) must not be installed horizontally - Regarding ① : For details about the connection block and valve assembly, see sect. 5.1 l) + m) 							

Table 1d: Options

	Coding	Note	vertically	horizontal
Options	no coding	without optional equipments	●	●
	K	Fluid level gauge / Fluid level gauge	●	●
	KS	Fluid level gauge with float switch (NO-contact)	●	-
	KD	Fluid level gauge with float switch (NC-contact)	●	-
	S	Float switch (NO-contact)	-	●
	D	Float switch (NC-contact)	-	●
	T	Temperature switch (switch point 80°C), standard with type KAW	●	●
	T60	Temperature switch (switch point 60°C), only with type KA	●	●
	G	Silica gel filter (instead of std. breather filter see sect. 5.1k), can not be retrofitted, not available for versions with auxiliary blower coding F	●	-
	F	Auxiliary blower ⑤ (see sect. 5.1g) for available motor voltage and other motor data, see table 9 in sect. 3.3. Can be retrofitted.	●	●

Table 1e: Electrical connection

	Coding	Note
Means of electrical connection	no coding	Standard (Terminal box)
	P	Plug Co. HARTING
	E, PE	Electrical connection with additional interference suppression in the terminal box or at the plug Co. HARTING. For alternatives, see sect. 3.3, only with type KA

Table 1f: Fluid drain hose

Coding	Description
no coding	Tapped plug G 3/4 *
G 3/4 x 300 *	Fluid drain hose approx. 300 mm with ball cock
G 3/4 x 500 *	Fluid drain hose approx. 500 mm with ball cock
G 3/4 W x 300 *	Fluid drain hose approx. 300 mm with elbow and ball cock
G 3/4 W x 500 *	Fluid drain hose approx. 500 mm with elbow and ball cock

* (BSPP)

2.2 Pump section

2.2.1 Single circuit pumps

Order example 1: KA 44 LFK / **H8,6** - AL21... - 3 x 400V 50 Hz - 2.2 kW/24V DC

Order example 2: KA 423 SKDT / **Z6,4** - A3F3/150 - 3 x 400V 50 Hz - 2.4 kW

Table 2a: Single circuit pumps with 3-phase motor
Radial piston pump **H** or gear pump **Z**

Note:

The delivery flow rating Q_{pu} is a guide line figure, based on nom. rev. rating that will be slightly reduced dep. on load (see curves in sect. 3.3). For notes regarding pressure p_{max} and p_1 .

The max. perm. hydraulic work $(pV_g)_{max}$ for version **Z** with gear pump has to be reduced by 10%.

The perm. pressure p_{max} correspond to motors 3~400/ 230V 50 Hz.

For other voltage: $p_{max} = (pV_g)_{max} / V_g$. For $(pV_g)_{max}$ (see sect. 3.3, table 9)

H	Coding for radial piston pump						
	Piston diameter (mm)	6	7	8	6	7	10
	Number of pump elements	3	3	3	6	6	3
	Delivery flow coding	0,9	1,25	1,5	1,8	2,45	2,5
	Geom. displace V_g (cm ³ /rev)	0.64	0.88	1.15	1.29	1.75	1.79
KA 42 - 2.4 kW	Perm. pressure p_{max} (bar)						
	Delivery Q_{pu} (lpm) 50 Hz	1.71	2.36	3.08	3.46	4.69	4.79
	60 Hz	2.05	2.82	3.69	4.14	5.61	5.74
KA 44 - 1.5 kW	Perm. pressure p_{max} (bar)	700	700	700	700	610	560
	Delivery Q_{pu} (lpm) 50 Hz	0.84	1.15	1.50	1.68	2.28	2.34
	60 Hz	1.01	1.39	1.82	2.04	2.77	2.84
KA 44 - 2.2 kW	Perm. pressure p_{max} (bar)	700	700	700	700	700	560
	Delivery Q_{pu} (lpm) 50 Hz	0.84	1.15	1.50	1.68	2.28	2.34
	60 Hz	1.01	1.39	1.82	2.04	2.77	2.84
KA 44 - 3.0 kW	Perm. pressure p_{max} (bar)	700	700	700	700	700	560
	Delivery Q_{pu} (lpm) 50 Hz	0.84	1.15	1.50	1.68	2.28	2.34
	60 Hz	1.01	1.39	1.82	2.04	2.77	2.84
KA 44 - 4.0 kW	Perm. pressure p_{max} (bar)	700	700	700	700	700	560
	Delivery Q_{pu} (lpm) 50 Hz	0.84	1.15	1.50	1.68	2.28	2.34
	60 Hz	1.01	1.39	1.82	2.04	2.77	2.84
KA 44 - 5.6 kW	Perm. pressure p_{max} (bar)	700	700	700	700	700	560
	Delivery Q_{pu} (lpm) 50 Hz	0.84	1.15	1.50	1.68	2.28	2.34
	60 Hz	1.01	1.39	1.82	2.04	2.77	2.84

H	Coding for radial piston pump						
	Piston diameter (mm)	8	12	13	10	14	15
	Number of pump elements	6	3	3	6	3	3
	Delivery flow coding	3,2	3,6	4,3	5,0	5,1	5,6
	Geom. displace V_g (cm ³ /rev)	2.29	2.58	3.03	3.58	3.51	4.03
KA 42 - 2.4 kW	Perm. pressure p_{max} (bar)						
	Delivery Q_{pu} (lpm) 50 Hz	6.13	6.91	8.12	9.59	9.40	10.79
	60 Hz	7.34	8.27	9.72	11.48	11.25	12.92
KA 44 - 1.5 kW	Perm. pressure p_{max} (bar)	460	390	330	290	290	250
	Delivery Q_{pu} (lpm) 50 Hz	2.99	3.37	3.96	4.67	4.58	5.26
	60 Hz	3.63	4.09	4.80	5.67	5.56	6.38
KA 44 - 2.2 kW	Perm. pressure p_{max} (bar)	700	390	330	470	290	250
	Delivery Q_{pu} (lpm) 50 Hz	2.99	3.37	3.96	4.67	4.58	5.26
	60 Hz	3.63	4.09	4.80	5.67	5.56	6.38
KA 44 - 3.0 kW	Perm. pressure p_{max} (bar)	700	390	330	560	290	250
	Delivery Q_{pu} (lpm) 50 Hz	2.99	3.37	3.96	4.67	4.58	5.26
	60 Hz	3.63	4.09	4.80	5.67	5.56	6.38
KA 44 - 4.0 kW	Perm. pressure p_{max} (bar)	700	390	330	560	290	250
	Delivery Q_{pu} (lpm) 50 Hz	2.99	3.37	3.96	4.67	4.58	5.26
	60 Hz	3.63	4.09	4.80	5.67	5.56	6.38
KA 44 - 5.6 kW	Perm. pressure p_{max} (bar)	700	390	330	560	290	250
	Delivery Q_{pu} (lpm) 50 Hz	2.99	3.37	3.96	4.67	4.58	5.26
	60 Hz	3.63	4.09	4.80	5.67	5.56	6.38

Continuation of table 2a:

H	Coding for radial piston pump		Size 1					
	Piston diameter (mm)	Number of pump elements	16 3	12 6	13 6	14 6	15 6	16 6
	Delivery flow coding		6,5	7,2	8,6	9,9	11,5	13,1
	Geom. displac V_g (cm ³ /rev)		4.58	5.16	6.05	7.02	8.06	9.17
KA 42 - 2.4 kW	Perm. pressure p_{max} (bar)							
	Delivery Q_{pu} (lpm) 50 Hz		12.27	13.82	16.20	18.80	21.59	24.56
	60 Hz		14.69	16.55	19.40	22.51	25.84	29.40
KA 44 - 1.5 kW	Perm. pressure p_{max} (bar)		220	200	170	150	130	110
	Delivery Q_{pu} (lpm) 50 Hz		5.98	6.74	7.90	9.17	10.52	11.97
	60 Hz		7.25	8.17	9.58	11.12	12.77	14.53
KA 44 - 2.2 kW	Perm. pressure p_{max} (bar)		220	320	270	240	200	180
	Delivery Q_{pu} (lpm) 50 Hz		5.98	6.74	7.90	9.17	10.52	11.97
	60 Hz		7.25	8.17	9.58	11.12	12.77	14.53
KA 44 - 3.0 kW	Perm. pressure p_{max} (bar)		220	390	330	290	250	220
	Delivery Q_{pu} (lpm) 50 Hz		5.98	6.74	7.90	9.17	10.52	11.97
	60 Hz		7.25	8.17	9.58	11.12	12.77	14.53
KA 44 - 4.0 kW	Perm. pressure p_{max} (bar)		220	390	330	290	250	220
	Delivery Q_{pu} (lpm) 50 Hz		5.98	6.74	7.90	9.17	10.52	11.97
	60 Hz		7.25	8.17	9.58	11.12	12.77	14.53
KA 44 - 5.6 kW	Perm. pressure p_{max} (bar)		220	390	330	290	250	220
	Delivery Q_{pu} (lpm) 50 Hz		5.98	6.74	7.90	9,7	10.52	11.97
	60 Hz		7.25	8.17	9.58	11.12	12.77	14.53

Z	Coding for gear pump		Size 1					
	Delivery flow coding	Geom. displac V_g (cm ³ /rev)	Z 1,1	Z 1,7	Z 2	Z 2,7	Z 3,5	Z 4,5
			0.8	1.2	1.6	2.1	2.5	3.3
KA 42 - 2.4 kW	Perm. pressure p_{max} (bar)							
	Delivery Q_{pu} (lpm) 50 Hz		1.71	2.36	3.08	4.79	6.91	8.12
	60 Hz		2.05	2.82	3.69	5.74	8.27	9.72
KA 44 - 1.5 kW	Perm. pressure p_{max} (bar)		200	200	200	200	200	200
	Delivery Q_{pu} (lpm) 50 Hz		0.84	1.15	1.50	2.34	3.37	3.96
	60 Hz		1.01	1.39	1.82	2.84	4.09	4.80
KA 44 - 2.2 kW	Perm. pressure p_{max} (bar)		200	200	200	200	200	200
	Delivery Q_{pu} (lpm) 50 Hz		0.84	1.15	1.50	2.34	3.37	3.96
	60 Hz		1.01	1.39	1.82	2.84	4.09	4.80
KA 44 - 3.0 kW	Perm. pressure p_{max} (bar)		200	200	200	200	200	200
	Delivery Q_{pu} (lpm) 50 Hz		0.84	1.15	1.50	2.34	3.37	3.96
	60 Hz		1,01	1.39	1.82	2.84	4.09	4.80
KA 44 - 4.0 kW	Perm. pressure p_{max} (bar)		200	200	200	200	200	200
	Delivery Q_{pu} (lpm) 50 Hz		0.84	1.15	1.50	2.34	3.37	3.96
	60 Hz		1.01	1.39	1.82	2.84	4.09	4.80
KA 44 - 5.6 kW	Perm. pressure p_{max} (bar)		200	200	200	200	200	200
	Delivery Q_{pu} (lpm) 50 Hz		0.84	1.15	1.50	2.34	3.37	3.96
	60 Hz		1.01	1.39	1.82	2.84	4.09	4.80

Continuation of table 2a:

Z	Coding for gear pump		Size 1					
			Z 5,2	Z 6,4	Z 6,9	Z 8,4	Z 8,8	Z 11,3
	Delivery flow coding							
	Geom. displace V_g (cm ³ /rev)		3.6	4.4	4.8	5.8	6.2	7.9
KA 42 - 2.4 kW	Perm. pressure p_{max} (bar)							
	Delivery Q_{pu} (lpm)	50 Hz	9.40	10.79	12.27	13.8	16.2	18.8
		60 Hz	11.25	12.92	14.69	16.5	19.4	22.5
KA 44 - 1.5 kW	Perm. pressure p_{max} (bar)		200	200	200	180	170	130
	Delivery Q_{pu} (lpm)	50 Hz	4.58	5.26	5.98	6.7	7.9	9.1
		60 Hz	5.56	6.38	7.25	8.1	9.5	11.1
KA 44 - 2.2 kW	Perm. pressure p_{max} (bar)		200	200	200	200	180	180
	Delivery Q_{pu} (lpm)	50 Hz	4.58	5.26	5.98	6.7	7.9	9.1
		60 Hz	5.56	6.38	7.25	8.1	9.5	11.1
KA 44 - 3.0 kW	Perm. pressure p_{max} (bar)		200	200	200	200	180	180
	Delivery Q_{pu} (lpm)	50 Hz	4.58	5.26	5.98	6.7	7.9	9.1
		60 Hz	5.56	6.38	7.25	8.1	9.5	11.1
KA 44 - 4.0 kW	Perm. pressure p_{max} (bar)		200	200	200	200	180	160
	Delivery Q_{pu} (lpm)	50 Hz	4.58	5.26	5.98	6.7	7.9	9.1
		60 Hz	5.56	6.38	7.25	8.1	9.5	11.1
KA 44 - 5.6 kW	Perm. pressure p_{max} (bar)		200	200	200	200	180	160
	Delivery Q_{pu} (lpm)	50 Hz	4.58	5.26	5.98	6.7	7.9	9.1
		60 Hz	5.56	6.38	7.25	8.1	9.5	11.1

Order example 1: KA 404 DT/1 - **H6,7** - A1/180 - 3 x 400V 50 Hz - 0.75 kW

Order example 2: KAW 402/1P1 - **Z4,5** - AL11E/120 - 3 x 400/230V 50 Hz - 1.4 kW

Table 3a: Single circuit pumps with 3~phase motor
Radial piston pump **H** or gear pump **Z**

Note:

The delivery flow rating Q_{pu} is a guide line figure, based on nom. rev. rating that will be slightly reduced dep. on load (see curves in sect. 3.3). For notes regarding pressure p_{max} and p_1 .

The max. perm. hydraulic work $(pV_g)_{max}$ for version **Z** with gear pump has to be reduced by 10%.

The perm. pressure p_{max} correspond to motors 3~400/ 230V 50 Hz.

For other voltage: $p_{max} = (pV_g)_{max} / V_g$. For $(pV_g)_{max}$ (see sect. 3.3, table 9)

H	Coding for radial piston pump						
	Piston diameter (mm)	4	5	4	6	7	5
	Number of pump elements	3	3	6	3	3	6
	Delivery flow coding	0,33	0,47	0,59	0,66	0,91	0,93
	Geom. displace V_g (cm ³ /rev)	0.23	0.35	0.45	0.51	0.69	0.71
KA 402 ...- 0.55 kW	Perm. pressure p_{max} (bar)	700	465	360	320	235	230
	Delivery Q_{pu} (lpm) 50 Hz	0.63	0.99	1.26	1.42	1.93	1.97
	60 Hz	0.76	1.18	1.52	1.70	2.32	2.37
KA 402 ...- 1.1 kW	Perm. pressure p_{max} (bar)	700	700	700	700	700	700
	Delivery Q_{pu} (lpm) 50 Hz	0.63	0.99	1.26	1.42	1.93	1.97
	60 Hz	0.76	1.18	1.52	1.70	2.32	2.37
KA 404 ...- 0.37 kW	Perm. pressure p_{max} (bar)	700	620	485	430	315	310
	Delivery Q_{pu} (lpm) 50 Hz	0.31	0.48	0.62	0.69	0.94	0.96
	60 Hz	0.37	0.58	0.75	0.84	1.14	1.17
KA 404 ...- 0.75 kW	Perm. pressure p_{max} (bar)	700	700	700	700	700	700
	Delivery Q_{pu} (lpm) 50 Hz	0.31	0.48	0.62	0.69	0.94	0.96
	60 Hz	0.37	0.58	0.75	0.84	1.14	1.17
KA 402 ...- 1.4 kW	Perm. pressure p_{max} (bar)	700	700	700	700	700	700
	Delivery Q_{pu} (lpm) 50 Hz	0.63	0.99	1.26	1.42	1.93	1.97
	60 Hz	0.76	1.18	1.52	1.70	2.32	2.37
KA 404 ...- 1.0 kW	Perm. pressure p_{max} (bar)	700	700	700	700	700	700
	Delivery Q_{pu} (lpm) 50 Hz	0.31	0.48	0.62	0.69	0.94	0.96
	60 Hz	0.37	0.58	0.75	0.84	1.14	1.17

H	Coding for radial piston pump						
	Piston diameter (mm)	8	6	9	7	8	9
	Number of pump elements	3	6	3	6	6	6
	Delivery flow coding	1,18	1,33	1,51	1,81	2,36	2,99
	Geom. displace V_g (cm ³ /rev)	0.91	1.02	1.15	1.39	1.81	2.29
KA 402 ...- 0.55 kW	Perm. pressure p_{max} (bar)	180	160	140	115	90	70
	Delivery Q_{pu} (lpm) 50 Hz	2.52	2.84	3.19	3.87	5.05	6.39
	60 Hz	3.03	3.41	3.84	4.64	6.06	7.67
KA 402 ...- 1.1 kW	Perm. pressure p_{max} (bar)	570	510	450	370	285	225
	Delivery Q_{pu} (lpm) 50 Hz	2.52	2.84	3.19	3.87	5.05	6.39
	60 Hz	3.03	3.41	3.84	4.64	6.06	7.67
KA 404 ...- 0.37 kW	Perm. pressure p_{max} (bar)	240	215	190	155	120	95
	Delivery Q_{pu} (lpm) 50 Hz	1.23	1.38	1.56	1.88	2.46	3.11
	60 Hz	1.49	1.68	1.89	2.29	2.99	3.78
KA 404 ...- 0.75 kW	Perm. pressure p_{max} (bar)	650	580	510	425	325	255
	Delivery Q_{pu} (lpm) 50 Hz	1.23	1.38	1.56	1.88	2.46	3.11
	60 Hz	1.49	1.68	1.89	2.29	2.99	3.78
KA 402 ...- 1.4 kW	Perm. pressure p_{max} (bar)	540	570	510	420	320	255
	Delivery Q_{pu} (lpm) 50 Hz	2.52	2.84	3.19	3.87	5.05	6.39
	60 Hz	3.03	3.41	3.84	4.64	6.06	7.67
KA 404 ...- 1.0 kW	Perm. pressure p_{max} (bar)	700	670	550	490	375	295
	Delivery Q_{pu} (lpm) 50 Hz	1.23	1.38	1.56	1.88	2.46	3.11
	60 Hz	1.49	1.68	1.89	2.29	2.99	3.78

Continuation of table 3a:

Note:

- Version with pump elements type PE acc. to D 5600
- Only available as vertical version (see table 1c)

H	Coding for radial piston pump						
	Piston diameter (mm)	10	12	13	14	10	15
	Number of pump elements	3	3	3	3	6	3
	Delivery flow coding	1,84	2,66	3,12	3,61	3,69	4,14
	Geom. displace V_g (cm ³ /rev)	1.41	2.04	2.39	2.77	2.83	3.18
KA 402	Perm. pressure p_{max} (bar)	115	80	65	55	55	50
...- 0.55 kW	Delivery Q_{pu} (lpm) 50 Hz	3.90	5.65	6.62	7.67	7.84	8.81
	60 Hz	4.69	6.79	7.96	9.22	9.42	10.59
KA 402	Perm. pressure p_{max} (bar)	365	250	215	185	180	160
...- 1.1 kW	Delivery Q_{pu} (lpm) 50 Hz	3.90	5.65	6.62	7.67	7.84	8.81
	60 Hz	4.69	6.79	7.96	9.22	9.42	10.59
KA 404	Perm. pressure p_{max} (bar)	155	105	90	75	75	65
...- 0.37 kW	Delivery Q_{pu} (lpm) 50 Hz	1.91	2.76	3.23	3.74	3.83	4.30
	60 Hz	2.31	3.34	3.91	4.54	4.63	5.21
KA 404	Perm. pressure p_{max} (bar)	415	285	245	210	205	185
...- 0.75 kW	Delivery Q_{pu} (lpm) 50 Hz	1.91	2.76	3.23	3.74	3.83	4.30
	60 Hz	2.31	3.34	3.91	4.54	4.63	5.21
KA 402	Perm. pressure p_{max} (bar)	410	285	240	210	205	180
...- 1.4 kW	Delivery Q_{pu} (lpm) 50 Hz	3.90	5.65	6.62	7.67	7.84	8.81
	60 Hz	4.69	6.79	7.96	9.22	9.42	10.59
KA 404	Perm. pressure p_{max} (bar)	485	335	285	245	240	215
...- 1.0 kW	Delivery Q_{pu} (lpm) 50 Hz	1.91	2.76	3.23	3.74	3.83	4.30
	60 Hz	2.31	3.34	3.91	4.54	4.63	5.21

H	Coding for radial piston pump						
	Piston diameter (mm)	16	12	13	14	15	16
	Number of pump elements	3	6	6	6	6	6
	Delivery flow coding	4,72	5,31	6,24	7,23	8,29	9,45
	Geom. displace V_g (cm ³ /rev)	3.62	4.07	4.78	5.54	6.36	7.24
KA 402	Perm. pressure p_{max} (bar)	45					
...- 0.55 kW	Delivery Q_{pu} (lpm) 50 Hz	10.02					
	60 Hz	12.05					
KA 402	Perm. pressure p_{max} (bar)	140					
...- 1.1 kW	Delivery Q_{pu} (lpm) 50 Hz	10.02					
	60 Hz	12.05					
KA 404	Perm. pressure p_{max} (bar)	60	50	45	35	30	30
...- 0.37 kW	Delivery Q_{pu} (lpm) 50 Hz	4.89	5.50	6.46	7.49	8.60	9.79
	60 Hz	5.93	6.66	7.83	9.07	10.41	11.85
KA 404	Perm. pressure p_{max} (bar)	160	140	120	105	90	80
...- 0.75 kW	Delivery Q_{pu} (lpm) 50 Hz	4.89	5.50	6.46	7.49	8.60	9.79
	60 Hz	5.93	6.66	7.83	9.07	10.41	11.85
KA 402	Perm. pressure p_{max} (bar)	160					
...- 1.4 kW	Delivery Q_{pu} (lpm) 50 Hz	10.02					
	60 Hz	12.05					
KA 404	Perm. pressure p_{max} (bar)	185	165	140	120	105	90
...- 1.0 kW	Delivery Q_{pu} (lpm) 50 Hz	4.89	5.50	6.46	7.49	8.60	9.79
	60 Hz	5.93	6.66	7.83	9.07	10.41	11.85

Continuation of table 3a:

Z	Coding for gear pump Delivery flow coding Geom. displace V_g (cm ³ /rev)	Size 1					
		Z 1,1	Z 1,7	Z 2,0	Z 2,7	Z 3,5	Z 4,5
		0.8	1.1	1.4	1.9	2.4	3.1
KA 402 ...- 0.55 kW	Perm. pressure p_{max} (bar) Delivery Q_{pu} (lpm) 50 Hz 60 Hz	170 2.23 2.68	130 3.07 3.69	100 3.91 4.69	75 5.30 6.37	60 6.70 8.04	
KA 402 ...- 1.1 kW	Perm. pressure p_{max} (bar) Delivery Q_{pu} (lpm) 50 Hz 60 Hz	170 2.23 2.68	170 3.07 3.69	170 3.91 4.69	170 5.30 6.37	170 6.70 8.04	150 8.65 10.39
KA 404 ...- 0.37 kW	Perm. pressure p_{max} (bar) Delivery Q_{pu} (lpm) 50 Hz 60 Hz	170 1.09 1.32	170 1.50 1.82	140 1.90 2.31	100 2.58 3.14	80 3.26 3.96	60 4.22 5.12
KA 404 ...- 0.75 kW	Perm. pressure p_{max} (bar) Delivery Q_{pu} (lpm) 50 Hz 60 Hz	170 1.09 1.32	170 1.50 1.82	170 1.90 2.31	170 2.58 3.14	170 3.26 3.96	170 4.22 5.12
KA 402 ...- 1.4 kW	Perm. pressure p_{max} (bar) Delivery Q_{pu} (lpm) 50 Hz 60 Hz	170 2.23 2.68	170 3.07 3.69	170 3.91 4.69	170 5.30 6.37	170 6.70 8.04	170 8.65 10.39
KA 404 ...- 1.0 kW	Perm. pressure p_{max} (bar) Delivery Q_{pu} (lpm) 50 Hz 60 Hz	170 1.09 1.32	170 1.50 1.82	170 1.90 2.31	170 2.58 3.14	170 3.26 3.96	170 4.22 5.12

Z	Coding for gear pump Delivery flow coding Geom. displace V_g (cm ³ /rev)	Size 1					
		Z 5,2	Z 6,4	Z 6,9	Z 8,8	Z 9,8	Z 11,3
		3.6	4.4	4.8	6.1	7.0	7.9
KA 402 ...- 0.55 kW	Perm. pressure p_{max} (bar) Delivery Q_{pu} (lpm) 50 Hz 60 Hz						
KA 402 ...- 1.1 kW	Perm. pressure p_{max} (bar) Delivery Q_{pu} (lpm) 50 Hz 60 Hz	130 10.04 12.06	105 12.28 14.74	95 13.39 16.08	75 17.02 20.44	65 19.53 23.45	55 22.04 26.47
KA 404 ...- 0.37 kW	Perm. pressure p_{max} (bar) Delivery Q_{pu} (lpm) 50 Hz 60 Hz	50 4.90 5.94					
KA 404 ...- 0.75 kW	Perm. pressure p_{max} (bar) Delivery Q_{pu} (lpm) 50 Hz 60 Hz	145 4.90 5.94	120 5.98 7.26	110 6.53 7.92	85 8.30 10.07	75 9.52 11.55	65 10.74 13.04
KA 402 ...- 1.4 kW	Perm. pressure p_{max} (bar) Delivery Q_{pu} (lpm) 50 Hz 60 Hz	145 10.04 12.06	120 12.28 14.74	110 13.39 16.08	85 17.02 20.44	75 19.53 23.45	65 22.04 26.47
KA 404 ...- 1.0 kW	Perm. pressure p_{max} (bar) Delivery Q_{pu} (lpm) 50 Hz 60 Hz	170 4.90 5.94	140 5.98 7.26	125 6.53 7.92	100 8.30 10.07	85 9.52 11.55	75 10.74 13.04

Table 3b: Single circuit pumps with 1~phase motor
Radial piston pump **H** or gear pump **Z**

Note:

The delivery flow rating Q_{pu} is a guide line figure, based on nom. rev. rating that will be slightly reduced dep. on load (see curves in sect. 3.3). For notes regarding pressure p_{max} and p_1 .

The perm. pressure p_{max} correspond to motors 1 x 230V 50 Hz

For other voltage: $p_{max} = (pV_{g,max} / V_g)$. For $(pV_{g,max})$ (see sect. 3.3, table 9)

The max. perm. hydraulic work $(pV_{g,max})$ for version **Z** with gear pump has to be reduced by 10%.

A capacitor is mandatory for the version with 1~phase motor, which is not scope of delivery. For recommendations and notes regarding selection, see sect. 3.3 and. 5.1i.

These power packs won't start-up against pressure!

H	Coding for radial piston pump						
	Piston diameter (mm)	4	5	4	6	7	5
	Number of pump elements	3	3	6	3	3	6
	Delivery flow coding	0,33	0,47	0,59	0,66	0,91	0,93
	Geom. displace V_g (cm ³ /rev)	0.23	0.35	0.45	0.51	0.69	0.71
KAW 402 ...- 0.37 kW	Perm. pressure p_{max} (bar)	440	280	221	195	140	140
	Delivery Q_{pu} (lpm) 50 Hz	0.63	0.99	1.26	1.42	1.93	1.97
	60 Hz	0.76	1.18	1.52	1.70	2.32	2.37
KAW 402 ...- 0.75 kW	Perm. pressure p_{max} (bar)	700	650	505	450	330	325
	Delivery Q_{pu} (lpm) 50 Hz	0.63	0.99	1.26	1.42	1.93	1.97
	60 Hz	0.76	1.18	1.52	1.70	2.32	2.37
KAW 404 ...- 0.25 kW	Perm. pressure p_{max} (bar)	640	410	320	285	205	205
	Delivery Q_{pu} (lpm) 50 Hz	0.31	0.48	0.62	0.69	0.94	0.96
	60 Hz	0.37	0.58	0.75	0.84	1.14	1.17
KAW 404 ...- 0.5 kW	Perm. pressure p_{max} (bar)	700	700	700	685	505	495
	Delivery Q_{pu} (lpm) 50 Hz	0.31	0.48	0.62	0.69	0.94	0.96
	60 Hz	0.37	0.58	0.75	0.84	1.14	1.17
KAW 402 ...- 1.1 kW	Perm. pressure p_{max} (bar)	700	700	605	540	395	385
	Delivery Q_{pu} (lpm) 50 Hz	0.63	0.99	1.26	1.42	1.93	1.97
	60 Hz	0.76	1.18	1.52	1.70	2.32	2.37
KAW 404 ...- 0.7 kW	Perm. pressure p_{max} (bar)	700	700	700	700	575	565
	Delivery Q_{pu} (lpm) 50 Hz	0.31	0.48	0.62	0.69	0.94	0.96
	60 Hz	0.37	0.58	0.75	0.84	1.14	1.17

H	Coding for radial piston pump						
	Piston diameter (mm)	8	6	9	7	8	9
	Number of pump elements	3	6	3	6	6	6
	Delivery flow coding	1,18	1,33	1,51	1,81	2,36	2,99
	Geom. displace V_g (cm ³ /rev)	0.91	1.02	1.15	1.39	1.81	2.29
KAW 402 ...- 0.37 kW	Perm. pressure p_{max} (bar)	110	95	85	70	55	40
	Delivery Q_{pu} (lpm) 50 Hz	2.52	2.84	3.19	3.87	5.05	6.39
	60 Hz	3.03	3.41	3.84	4.64	6.06	7.67
KAW 402 ...- 0.75 kW	Perm. pressure p_{max} (bar)	250	225	200	165	120	100
	Delivery Q_{pu} (lpm) 50 Hz	2.52	2.84	3.19	3.87	5.05	6.39
	60 Hz	3.03	3.41	3.84	4.64	6.06	7.67
KAW 404 ...- 0.25 kW	Perm. pressure p_{max} (bar)	160	140	125	105	80	60
	Delivery Q_{pu} (lpm) 50 Hz	1,23	1,38	1,56	1,88	2,46	3,11
	60 Hz	1,49	1,68	1,89	2,29	2,99	3,78
KAW 404 ...- 0.5 kW	Perm. pressure p_{max} (bar)	385	340	305	250	190	150
	Delivery Q_{pu} (lpm) 50 Hz	1.23	1.38	1.56	1.88	2.46	3.11
	60 Hz	1.49	1.68	1.89	2.29	2.99	3.78
KAW 402 ...- 1.1 kW	Perm. pressure p_{max} (bar)	300	270	240	195	150	120
	Delivery Q_{pu} (lpm) 50 Hz	2.52	2.84	3.19	3.87	5.05	6.39
	60 Hz	3.03	3.41	3.84	4.64	6.06	7.67
KAW 404 ...- 0.7 kW	Perm. pressure p_{max} (bar)	440	390	345	285	220	175
	Delivery Q_{pu} (lpm) 50 Hz	1.23	1.38	1.56	1.88	2.46	3.11
	60 Hz	1.49	1.68	1.89	2.29	2.99	3.78

Continuation of table 3b:

Note:

- Version with pump elements type PE acc. to D 5600
- Only available as vertical version (see table 1c)

H	Coding for radial piston pump						
	Piston diameter (mm)	10	12	13	14	10	15
	Number of pump elements	3	3	3	3	6	3
	Delivery flow coding	1,84	2,66	3,12	3,61	3,69	4,14
	Geom. displace V_g (cm ³ /rev)	1.41	2.04	2.39	2.77	2.83	3.18
KAW 402 ...- 0.37 kW	Perm. pressure p_{max} (bar)	70	45	40	35	35	30
	Delivery Q_{pu} (lpm) 50 Hz	3.86	5.59	6.55	7.59	7.75	8.71
	60 Hz	4.66	6.74	7.90	9.15	9.35	10.51
KAW 402 ...- 0.75 kW	Perm. pressure p_{max} (bar)	160	110	95	80	80	70
	Delivery Q_{pu} (lpm) 50 Hz	3.86	5.59	6.55	7.59	7.75	8.71
	60 Hz	4.66	6.74	7.90	9.15	9.35	10.51
KAW 404 ...- 0.25 kW	Perm. pressure p_{max} (bar)	100	70	60	50	50	45
	Delivery Q_{pu} (lpm) 50 Hz	1.90	2.75	3.22	3.73	3.81	4.29
	60 Hz	2.27	3.28	3.84	4.46	4.55	5.12
KAW 404 ...- 0.5 kW	Perm. pressure p_{max} (bar)	245	170	145	125	120	1
	Delivery Q_{pu} (lpm) 50 Hz	0.00	2.75	3.22	3.73	3.81	4.29
	60 Hz	2.27	3.28	3.84	4.46	4.55	5.12
KAW 402 ...- 1.1 kW	Perm. pressure p_{max} (bar)	195	130	115	95	95	85
	Delivery Q_{pu} (lpm) 50 Hz	3.86	5.59	6.55	7.59	7.75	8.71
	60 Hz	4.66	6.74	7.90	9.15	9.35	10.51
KAW 404 ...- 0.7 kW	Perm. pressure p_{max} (bar)	280	195	165	140	140	125
	Delivery Q_{pu} (lpm) 50 Hz	1.90	2.75	3.22	3.73	3.81	4.29
	60 Hz	2.27	3.28	3.84	4.46	4.55	5.12

H	Coding for radial piston pump						
	Piston diameter (mm)	16	12	13	14	15	16
	Number of pump elements	3	6	6	6	6	6
	Delivery flow coding	4,72	5,31	6,24	7,23	8,29	9,45
	Geom. displace V_g (cm ³ /rev)	3.62	4.07	4.78	5.54	6.36	7.24
KAW 402 ...- 0.37 kW	Perm. pressure p_{max} (bar)	25					
	Delivery Q_{pu} (lpm) 50 Hz	9.92					
	60 Hz	11.96					
KAW 402 ...- 0.75 kW	Perm. pressure p_{max} (bar)	60					
	Delivery Q_{pu} (lpm) 50 Hz	9.92					
	60 Hz	11.96					
KAW 404 ...- 0.25 kW	Perm. pressure p_{max} (bar)	40	35	30	25	20	20
	Delivery Q_{pu} (lpm) 50 Hz	4.88	5.49	6.44	7.47	8.57	9.76
	60 Hz	5.82	6.55	7.69	8.91	10.23	11.65
KAW 404 ...- 0.5 kW	Perm. pressure p_{max} (bar)	95	85	70	60	55	45
	Delivery Q_{pu} (lpm) 50 Hz	4.88	5.49	6.44	7.47	8.57	9.76
	60 Hz	5.82	6.55	7.69	8.91	10.23	11.65
KAW 402 ...- 1.1 kW	Perm. pressure p_{max} (bar)	75					
	Delivery Q_{pu} (lpm) 50 Hz	9.92					
	60 Hz	11.96					
KAW 404 ...- 0.7 kW	Perm. pressure p_{max} (bar)	110	95	80	70	60	55
	Delivery Q_{pu} (lpm) 50 Hz	4.88	5.49	6.44	7.47	8.57	9.76
	60 Hz	5.82	6.55	7.69	8.91	10.23	11.65

Continuation of table 3b:

Z	Coding for gear pump	Size 1						
		Z 1,1	Z 1,7	Z 2,0	Z 2,7	Z 3,5	Z 4,5	
	Delivery flow coding							
	Geom. displace V_g (cm ³ /rev)	0.8	1.1	1.4	1.9	2.4	3.1	
KAW 402 ...- 0.37 kW	Perm. pressure p_{max} (bar)	110	80	60				
	Delivery Q_{pu} (lpm)	50 Hz	2.23	3.07	3.91			
		60 Hz	2.68	3.69	4.69			
KAW 402 ...- 0.75 kW	Perm. pressure p_{max} (bar)	170	170	145	105	85	65	
	Delivery Q_{pu} (lpm)	50 Hz	2.23	3.07	3.91	5.30	6.70	8.65
		60 Hz	2.68	3.69	4.69	6.37	8.04	10.39
KAW 404 ...- 0.25 kW	Perm. pressure p_{max} (bar)	160	115	90	65	50		
	Delivery Q_{pu} (lpm)	50 Hz	1.09	1.50	1.90	2.58	3.26	
		60 Hz	1.32	1.82	2.31	3.14	3.96	
KAW 404 ...- 0.5 kW	Perm. pressure p_{max} (bar)	170	170	170	165	130	100	
	Delivery Q_{pu} (lpm)	50 Hz	1.09	1.50	1.90	2.58	3.26	4.22
		60 Hz	1.32	1.82	2.31	3.14	3.96	5.12
KAW 402 ...- 1.1 kW	Perm. pressure p_{max} (bar)	170	170	170	130	100	80	
	Delivery Q_{pu} (lpm)	50 Hz	2.23	3.07	3.91	5.30	6.70	8.65
		60 Hz	2.68	3.69	4.69	6.37	8.04	10.39
KAW 404 ...- 0.7 kW	Perm. pressure p_{max} (bar)	170	170	170	170	150	115	
	Delivery Q_{pu} (lpm)	50 Hz	1.09	1.50	1.90	2.58	3.26	4.22
		60 Hz	1.32	1.82	2.31	3.14	3.96	5.12

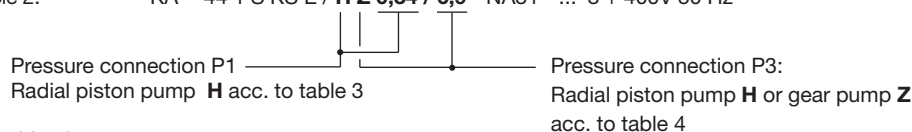
Z	Coding for gear pump	Size 1						
		Z 5,2	Z 6,4	Z 6,9	Z 8,8	Z 9,8	Z 11,3	
	Delivery flow coding							
	Geom. displace V_g (cm ³ /rev)	3.6	4.4	4.8	6.1	7.0	7.9	
KAW 402 ...- 0.37 kW	Perm. pressure p_{max} (bar)							
	Delivery Q_{pu} (lpm)	50 Hz						
		60 Hz						
KAW 402 ...- 0.75 kW	Perm. pressure p_{max} (bar)	55						
	Delivery Q_{pu} (lpm)	50 Hz	10.04					
		60 Hz	12.06					
KAW 404 ...- 0.25 kW	Perm. pressure p_{max} (bar)							
	Delivery Q_{pu} (lpm)	50 Hz						
		60 Hz						
KAW 404 ...- 0.5 kW	Perm. pressure p_{max} (bar)	85	70	65	50			
	Delivery Q_{pu} (lpm)	50 Hz	4.90	5.98	6.53	8.30		
		60 Hz	5.94	7.26	7.92	10.07		
KAW 402 ...- 1.1 kW	Perm. pressure p_{max} (bar)	65	55	50				
	Delivery Q_{pu} (lpm)	50 Hz	10.04	12.28	13.39			
		60 Hz	12.06	14.74	16.08			
KAW 404 ...- 0.7 kW	Perm. pressure p_{max} (bar)	100	80	75	50	50		
	Delivery Q_{pu} (lpm)	50 Hz	4.90	5.98	6.53	8.30	9.52	
		60 Hz	5.94	7.26	7.92	10.07	11.55	

2.2.2 Dual circuit pump with joint connection pedestal

a) Version radial piston pump - radial piston pump HH and radial piston pump - gear pump coding HZ

Order example 1: KAW 44 1 S KS E / **H H 0,34 / 2,0** - NA31 - ... 1 + 230V 50 Hz

Order example 2: KA 44 1 S KS E / **H Z 0,34 / 6,9** - NA31 - ... 3 + 400V 50 Hz



Available combinations

Coding	P1	P3	Example
HH	3 pump elements	3 pump elements	HH 0.9/0.9
	6 pump elements	6 pump elements	HH 1.8/1.8
	3 pump elements	9 pump elements	HH 1.8/12.8
HZ	3 pump elements	Gear pump size 1	HZ 0.9/11.3
	6 pump elements	Gear pump size 1	HZ 1.8/8.8

Table 3: Pressure connection P1

Note: The delivery flow rating Q_{pu} is a guide line figure, based on nom. rev. rating that will be slightly reduced dep. on load (see sect. 3.3). For notes regarding pressure p_{max} and p_1 (see sect. 3.3, table 9).
The max. perm. hydraulic work ($pV_{g,max}$ for version **HH** and **HZ** with gear pump has to be reduced by 10%.

H	Coding for radial piston pump						
KA 42.. KA 44..	Piston diameter (mm)	6	7	8	10	12	13
	Number of pump elements	3	3	3	3	3	3
	Delivery flow coding	0,9	1,25	1,5	2,5	3,6	4,3
	Geom. displace V_g (cm ³ /rev)	0.64	0.88	1.15	1.79	2.58	3.03
	Piston diameter (mm)	14	15	16	6	7	8
	Number of pump elements	3	3	3	6	6	6
	Delivery flow coding	5,1	5,6	6,5	1,8	2,45	3,2
	Geom. displace V_g (cm ³ /rev)	3.51	4.03	4.58	1.29	1.75	2.29
	Piston diameter (mm)	10	12	13	14	15	16
	Number of pump elements	6	6	6	6	6	6
	Delivery flow coding	5	7,2	8,6	9,9	11,5	13,1
	Geom. displace V_g (cm ³ /rev)	3.58	5.16	6.05	7.02	8.06	9.17

Table 4: Pressure connection P3

radial piston pump **H** or gear pump coding **Z** for available combinations, see above

Note: The delivery flow rating Q_{pu} is a guide line figure, based on nom. rev. rating that will be slightly reduced dep. on load (see sect. 3.3). For notes regarding pressure p_{max} and p_1 (see sect. 3.3, table 9).

H	Coding for radial piston pump						
KA 42.. KA 44..	Piston diameter (mm)	6	7	8	10	12	13
	Number of pump elements	3	3	3	3	3	3
	Delivery flow coding	0,9	1,25	1,5	2,5	3,6	4,3
	Geom. displace V_g (cm ³ /rev)	0.64	0.88	1.15	1.79	2.58	3.03
	Piston diameter (mm)	14	15	16	6	7	8
	Number of pump elements	3	3	3	6	6	6
	Delivery flow coding	5,1	5,6	6,5	1,8	2,45	3,2
	Geom. displace V_g (cm ³ /rev)	3.51	4.03	4.58	1.29	1.75	2.29
	Piston diameter (mm)	10	12	13	14	15	16
	Number of pump elements	6	6	6	6	6	6
	Delivery flow coding	5	7,2	8,6	9,9	11,5	13,1
	Geom. displace V_g (cm ³ /rev)	3.58	5.16	6.05	7.02	8.06	9.17
	Piston diameter (mm)	6	7	8	10	12	13
	Number of pump elements	9	9	9	9	9	9
	Delivery flow coding	2,35	3,74	4,7	7,3	10,8	12,8
	Geom. displace V_g (cm ³ /rev)	1.92	2.64	3.45	5.37	7.74	9.09
	Piston diameter (mm)	14	15	16			
	Number of pump elements	9	9	9			
	Delivery flow coding	15,9	17,2	19,5			
	Geom. displace V_g (cm ³ /rev)	10.53	12.09	13.74			

Z	Coding for gear pump	Size 1					
KA 42.. KA 44..	Delivery flow coding	1,1	1,7	2,0	2,7	3,5	4,5
	Geom. displace V_g (cm ³ /rev)	0.8	1.2	1.6	2.1	2.5	3.3
	Delivery flow coding	5,2	6,4	6,9	8,4	8,8	11,3
	Geom. displace V_g (cm ³ /rev)	3.6	4.4	4.8	5.8	6.2	7.9

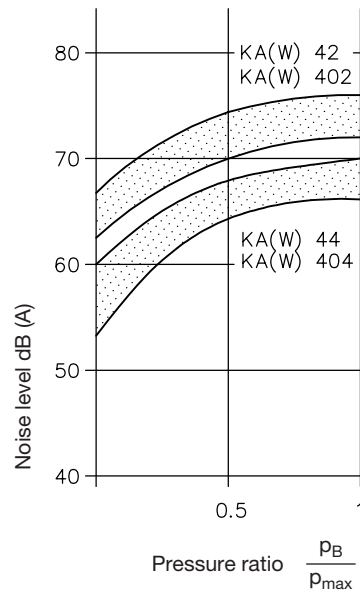
3. Additional parameters

3.1 General

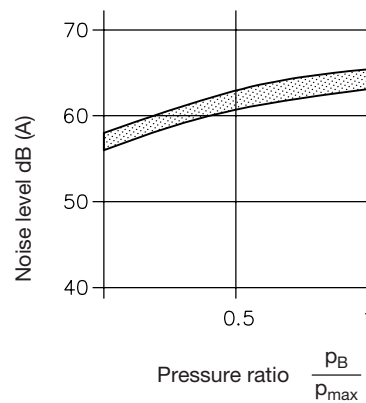
Nomenclature	Constant delivery pump					
Design	Valve controlled radial piston pump or gear pump					
Direction of rotation	Radial piston pump - any Gear pump - counterclockwise (Direction of rotation can only be detected by checking the delivery flow - the connection of 2 of the 3 leads have to be changed at 3-phase versions, when there is no flow)					
Speed range	Radial piston pump H: 200 ... 3500 min ⁻¹ Gear pump Z 1,1 ... Z 6,9: 700 ... 4000 min ⁻¹ Z 8,8 ... Z 11,3: 500 ... 1800 min ⁻¹					
Installed position	Vertically (KA...S) or horizontally (KA...L) Observe notes regarding horizontal version, see sect. 4.2					
Mounting	Tapped holed M8, see dimensional drawings					
Mass (weight) (without fluid)		H (3 cyl.)	H (6 cyl.)	Z	HZ	For Mass (weight) of the required connection blocks, see the respective pamphlets (listing in sect. 5.1l and 5.1m)
	KA 4	29	29.6	30.8	31.5	
	Tank size 02, 2	+4.4 kg				
	Tank size 22, 3	+8.8 kg				
	Auxiliary blower	+2.7 kg				
Hydraulic connection	via directly mounted connection blocks, see table in sect. 5.1l Basic pump: For connection hole pattern, see sect. 4.3					
Silica gel filter	Filtering surface	26.6 cm ²				
	Content	136 g				
	Absorbance capacity	29.6 ml				
	Filtration	3 μm				
	Temperature range	-30°C ... +90°C				
	Note: For maintenance rules, see sect. 5.4!					

Running noise

Radial piston pump



Gear pump



3.2 Hydraulic

Pressure	Delivery side (outlet ports P) depending on pump design and delivery flow, see sect. 2.2 Suction side (inside the tank): ambient pressure. Not suitable for charging.
Starting against pressure	Versions with 3~phase motor will start-up against pressure pmax! Whereas versions with 1~phase motor will start-up only against slight pressure!
Pressure fluid	Hydraulic oil conforming DIN 51 524 part 1 to 3; ISO VG 10 to 68 conforming DIN 51 519 Opt. operation range: Radial piston pump H: 10 ... 500 mm ² /s Gear pump Z: 20 ... 100 mm ² /s Viscosity range: min. approx. 4; max. approx. 800 mm ² /s Also suitable are biologically degradable pressure fluids type HEES (synth. Ester) at service temperatures up to approx. +70°C. Electrically hazardous: Any fluid types containing water must not be used (short-cut).
Temperature	Ambient: approx. -40 ... +60°C; Fluid: -25 ... +80°C. Note the viscosity range! Permissible temperature during start: -40°C (observe start-viscosity!), as long as the service temperature is at least 20K higher for the following operation. Biologically degradable pressure fluids: Observe manufacturer's specifications. By consideration of the compatibility with seal material not over +70°C.
Filling and usable volume	See tank size in sect. 2.1, table 1b

3.3 Electrical

The following data apply to radial piston and to gear pumps The drive motor is part of the pump and can not be removed, see description in sect. 1.

Connection	Versions with plug Co. HARTING: cable 1.5 mm ² Versions with integrated terminal box: Blade type plugs 6.3 Co. AMP Cable gland M 20x1.5 (not scope of delivery)
Protection class	IP 65 acc. to IEC 60529 Note: The breather filter has to be protected from migrating moisture.
Safety class	DIN VDE 0100 safety class 1
Insulation	Lay-out conf. EN 60 664-1 ● up to 500V AC nom. phase voltage (wire-wire) for 4-wire AC-mains L1-L2-L3-PE (3~phase mains) with earthed star connection point. ● up to 300V AC nom. phase voltage (wire-wire) for 3-wire AC-mains L1-L2-L3 (3~phase mains) without earthed star connection point. ● for 1~phase mains with 2 conductors L-N up to 300V AC nom. voltage.
Suppressor	Type RC3R
Coding E, PE	Oper. voltage 3x 575V AC Frequency 10 ... 400 Hz Max. power 4.0 kW

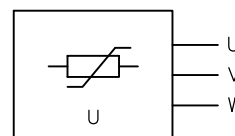


Table 9: Motor data

Type	Nom. voltage and mains frequency U_N (V), f (Hz)	Nominal power P_N (kW)	Nom. speed n_N (rpm)	Nom. current I_N (A)	Start current ratio I_A / I_N	Power factor $\cos \varphi$	Rec. operating capacitor C_B (μ F)	max. hydraulic work ($pV_{g,max}$) (bar cm^3)
KA 42 ...- 2.4 kW	3x400/230V 50 Hz $\Upsilon\Delta$	2,4	2790					
	3x460/265V 60 Hz $\Upsilon\Delta$	2,88	3340					
KA 44 ...- 1.5 kW	3x400/230V 50 Hz $\Upsilon\Delta$	1,5	1410	3.5/6.1	5.3	0.83		1070
	3x460/265V 60 Hz $\Upsilon\Delta$	1,8	1690	3.6/6.2	5.0	0.83		1070
KA 44 ...- 2.2 kW	3x400/230V 50 Hz $\Upsilon\Delta$	2,2	1405	4.8/8.3	5.4	0.85		1570
	3x460/265V 60 Hz $\Upsilon\Delta$	2,6	1700	5.0/8.6	5.0	0.87		1570
KA 44 ...- 3.0 kW	3x400/230V 50 Hz $\Upsilon\Delta$	3,0	1410	6.6/11.5	5.7	0.84		2350
	3x460/265V 60 Hz $\Upsilon\Delta$	3,6	1700	6.7/11.5	6.1	0.86		2350
KA 402 ...- 0.5 kW	3x400/230V 50 Hz $\Upsilon\Delta$	0,55	2790	1.25/2.2	4,8	0.84		165
	3x460/265V 60 Hz $\Upsilon\Delta$	0,66	3350	1.3/2.25	5.4	0.88		165
	3x690V 50 Hz Υ	0,55	2790	0.73	4.8	0.84		165
KA 402 ...- 1.1 kW	3x400/230V 50 Hz $\Upsilon\Delta$	1,1	2790	2.7/4.7	5.4	0.83		520
	3x460/265V 60 Hz $\Upsilon\Delta$	1,32	3400	2.6/4.5	7.1	0.80		520
	3x690V 50 Hz Υ	1,1	2790	1.55	6.3	0.83		490
	3x200V 50 Hz/60 Hz	1,1	2820/3380	5.5/4.9	5.4/6.2	0.74/0.88		490/350
KA 404 ...- 0.37 kW	3x400/230 V 50 Hz $\Upsilon\Delta$	0,37	1360	1.0/1.75	4.3	0.80		220
	3x460/265 V 60 Hz $\Upsilon\Delta$	0,44	1650	1.0/1.75	4.4	0.81		220
	3x690V 50 Hz Υ	0,37	1330	1.3	3.0	0.75		385
	3x575V 60 Hz Υ S3	0,75	1670	1.4	3.8	0.75		360
	3x200V 50 Hz/60 Hz S3	0,75	1410/1690	2.3/2.0	4.8	0.67		290/210
KA 404 ...- 0.75 kW	3x400/230V 50 Hz $\Upsilon\Delta$	0,75	1360	2.2/3.8	4.3	0.74		590
	3x460/265V 60 Hz $\Upsilon\Delta$	0,9	1650	2.1/3.6	5.4	0.74		590
	3x200V 50 Hz/60 Hz	0,75	1390/1680	4.5/3.9	4.8	0.67		610/460
KA 402 ...- 1.4 kW	3x400/230 V 50 Hz $\Upsilon\Delta$	1,4	2750	3.0/5.2	5.1	0.89		585
	3x460/265 V 60 Hz $\Upsilon\Delta$	1,68	3340	3.0/5.2	5.0	0.90		585
	3x500V 50 Hz Υ	1,4	2820	2.35	6.0	0.85		590
	3x575V 60 Hz Υ	1,68	3450	2.0	7.1	0.86		590
	3x380V 60 Hz Υ	1,4	3450	3.05	7.1	0.86		630
	3x200V 50 Hz/60 Hz	1,4	2840/3450	6.4/5.3	6.2/7.1	0.79/0.86		630
KA 404 ...- 1.0 kW	3x400/230V 50 Hz $\Upsilon\Delta$	1,0	1370	2.55/4.4	4.8	0.76		685
	3x460/265V 60 Hz $\Upsilon\Delta$	1,2	1660	2.5/4.35	5.0	0.78		685
	3x200V 50 Hz/60 Hz	1,1	1390/1690	6.3/5.5	5.1	0.67/0.76		785/665
KAW 402 ...- 0.37 kW	1x230V 50 Hz \perp	0,37	2770	2.5	3.7	0.97	24	100
	1x110V 60 Hz \perp	0,37	3340	5.5	3.0	0.96	50	70
KAW 402 ...- 0.75 kW	1x230V 50 Hz \perp	0,75	2810	4.75	4.4	0.94	32	230
	1x110V 60 Hz \perp	0,75	3400	12.0	3.5	0.90	120	175
KAW 404 ...- 0.25 kW	1x230V 50 Hz \perp	0,25	1380	1.9	3.0	0.91	18	145
	1x110V 60 Hz \perp	0,25	1650	4.4	3.2	0.96	50	100
KAW 404 ...- 0.5 kW	1x230V 50 Hz \perp	0,5	1390	4.1	2.9	0.95	32	350
	1x110V 60 Hz \perp	0,5	1680	9.0	3.3	0.98	65	210
	1x220V 60 Hz \perp	0,5	1680	3.9	2.9	0.98	25	275
KAW 402 ...- 1.1 kW	1x230V 50 Hz \perp	1,1	2770	7.2	4.8	0.98	32	275
	1x110V 60 Hz \perp	1,1	3340	15.0	4.0	0.99	100	235
	1x220V 60 Hz \perp	1,1	3340	7.2	4.0	0.99	25	275
	1x115V 50 Hz \perp	1,1	2750	15.0	4.0	0.96	120	260
KAW 404 ...- 0.7 kW	1x230V 50 Hz \perp	0,7	1370	5.1	3.0	0.94	36	400
	1x110V 60 Hz \perp	0,7	1650	10.5	3.0	0.98	100	315

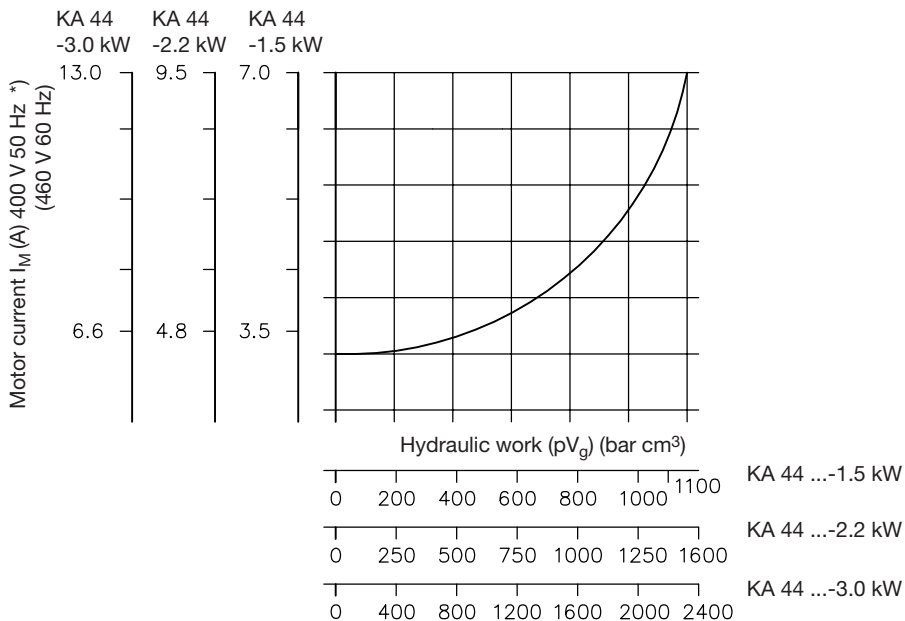
Note:

- The current consumption of the motor depends strongly on its load. The nominal figures apply strictly to one operating point only. Up to 1.8 of the nominal power of the motor can be exploited during load / no load operation (= operation mode S2 and S3). The increased heat built-up under these conditions gets intensively radiated during the idle or stand-still periods.
- The respective current consumption can be estimated via the middled and max. figures for the hydraulic work ($pV_{g,m}$) and ($pV_{g,max}$).
- Versions with 1~phase motors. The actual current consumption also depends on the size of the operating capacitor. The operating capacitor is not scope of delivery. For selection, see sect. 5.1i
- Tension tolerances: $\pm 10\%$ (IEC 38), at 3 x 460/265V 60 Hz $\pm 5\%$
It is possible to use the power pack with reduced voltage, but this will cause a reduced performance, see sect. 5.1e!
- The max. perm. hydraulic work ($pV_{g,max}$) for version **Z** with gear pump has to be reduced by 10%.

Current consumption

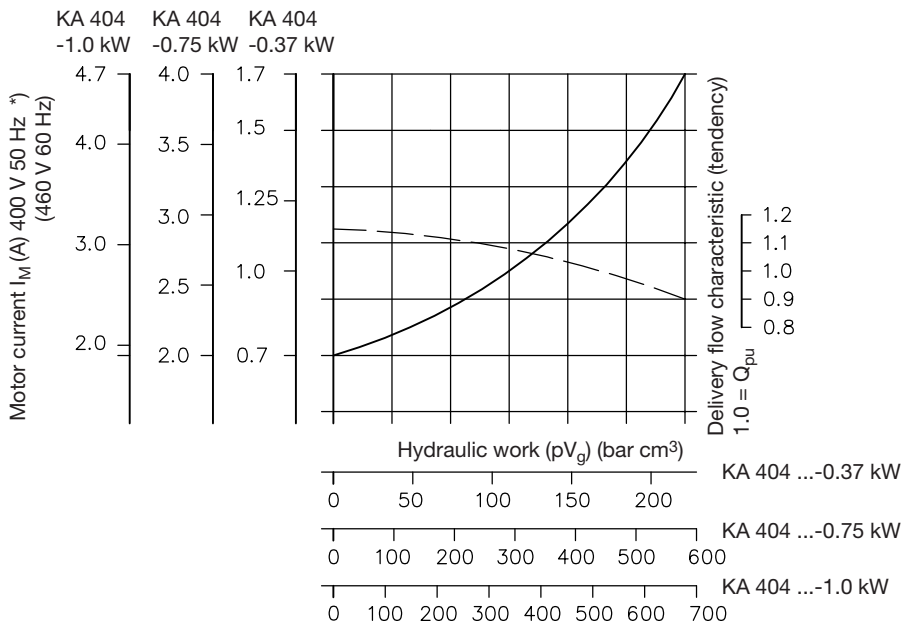
KA 44

Oper. voltage
 3 x 400/230V 50 Hz $\Upsilon\Delta$
 3 x 460/265V 60 Hz $\Upsilon\Delta$



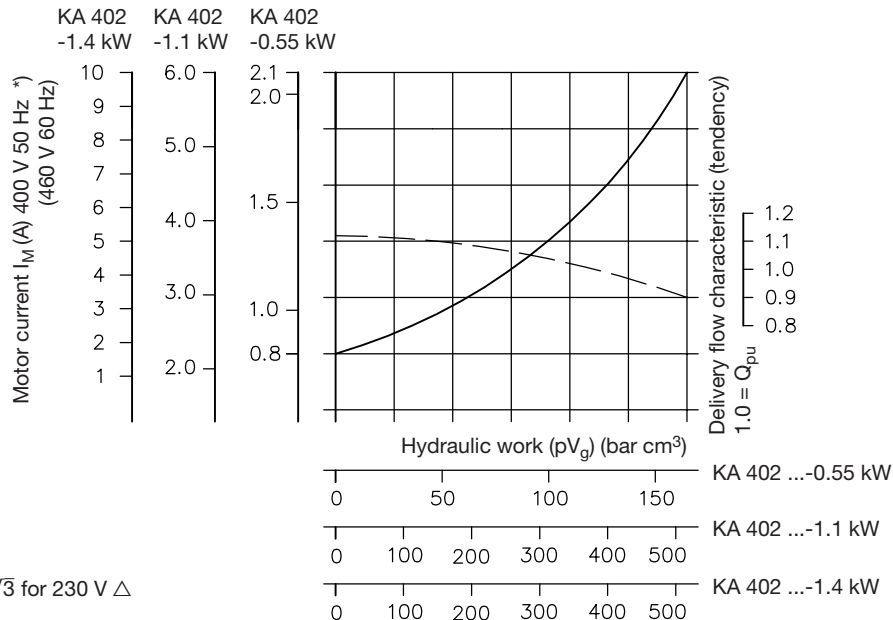
KA 404

Oper. voltage
 3 x 400/230V 50 Hz $\Upsilon\Delta$
 3 x 460/265V 60 Hz $\Upsilon\Delta$



KA 402

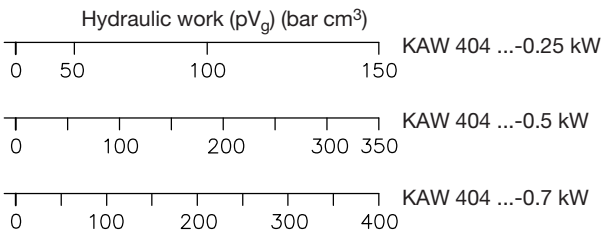
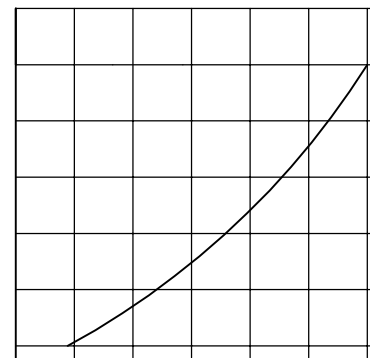
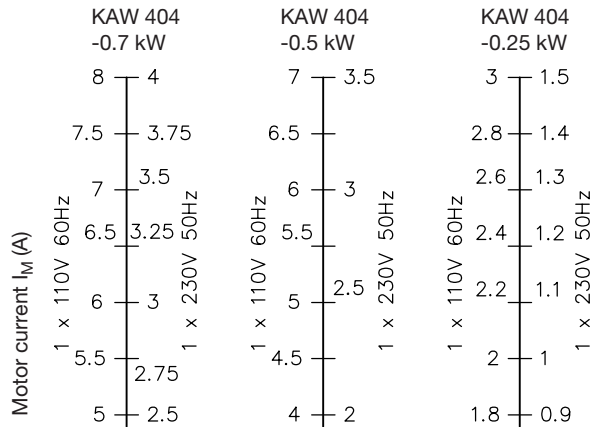
Oper. voltage
 3 x 400/230V 50 Hz $\Upsilon\Delta$
 3 x 460/265V 60 Hz $\Upsilon\Delta$



*) values have to be multiplied by $\sqrt{3}$ for 230 V Δ

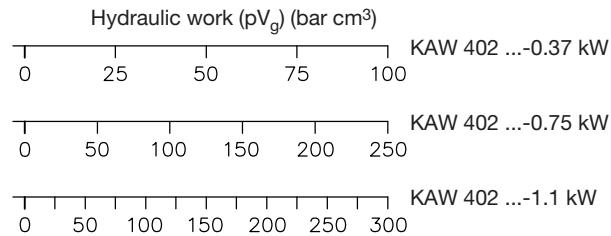
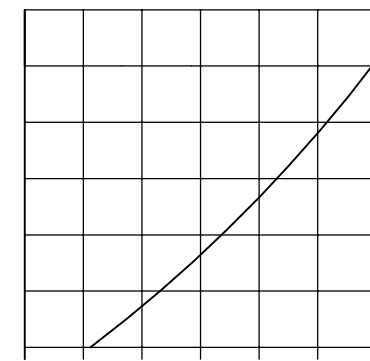
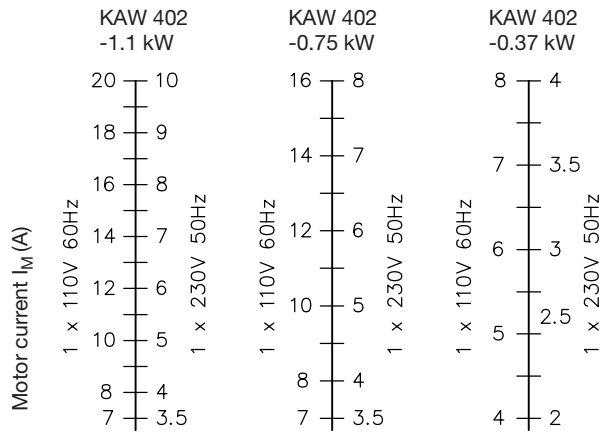
KAW 404

Oper. voltage
 1 x 230V 50 Hz
 1 x 110V 60 Hz



KAW 402

Oper. voltage
 1 x 230V 50 Hz
 1 x 110V 60 Hz



Aux. blower
Coding **F, F1**

Motor data			
U_N	$P_N(W)$	Revolutions (rpm)	Protections class
1x230V 50/60 Hz \perp	64	2600/2900	IP 44
24V DC	55	2950	IP 42

Temperature range -30°C ... +50°C
Electrical connection Plug conf. DIN EN 175 301-803 A

Temperature switch
Coding **T**

Technical data:
Bimetallic switch
winding protective switch
separately mounted
Temperature switch
Trigger point
Max. voltage
Nom. current ($\cos \varphi \sim 0,6$)
Max. current at 24 V ($\cos \varphi = 1$)
Electrical connection

KAW
KA

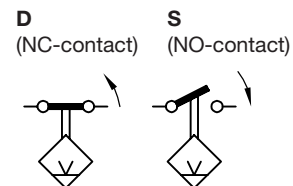


80°C \pm 5K (Coding T)
60°C \pm 5K (Coding T60)
250 V 50/60 Hz
1.6 A
1.5 A
Terminal box / plug Co. HARTING

Float switch
Coding **D, S** (horizontal)

Technical data:
Max. switched power DC/AC
Max. current DC/AC
Max. voltage

30 VA
0.5 A ($\cos \varphi = 1$)
230 V AC/DC



Coding **KD, KS** (vertically)

Max. switched power DC/AC
Max. current DC/AC
Max. voltage

10 W
1 A
150 V 50/60 Hz
200 V DC

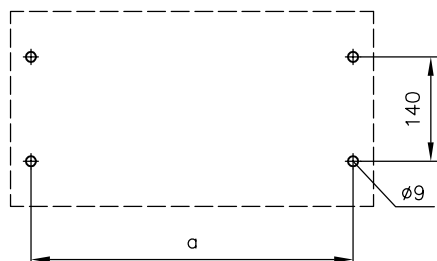
A protective circuitry has to be employed at inductive loads!

4. Dimensions

All dimensions in mm, subject to change without notice!

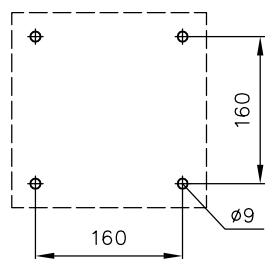
4.1 Mounting hole pattern

Horizontal version coding **L**

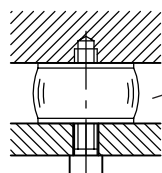


Coding	
Tank size	a
-	375
02, 2	625
22, 3	875

Vertical version coding **S**



Recommended mounting

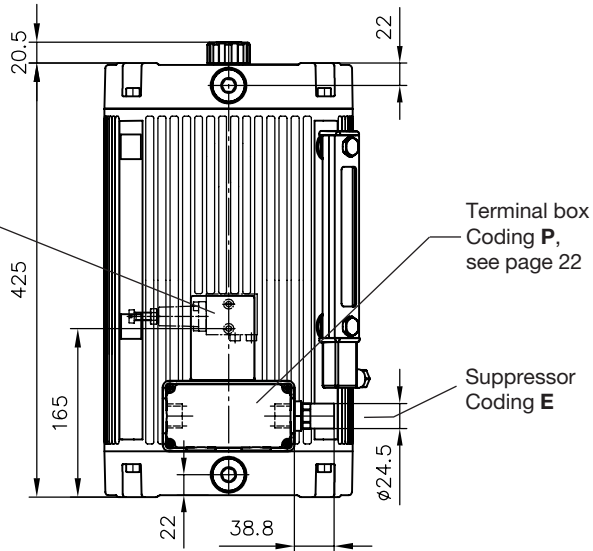


Silent bloc $\varnothing 40 \times 30$ / M8 (65 Shore)

**4.2 Basic pump
Vertical version**

Tank size
without coding

Connection pedestal
with connection block;
Example: A1/...
see sect. 5.11

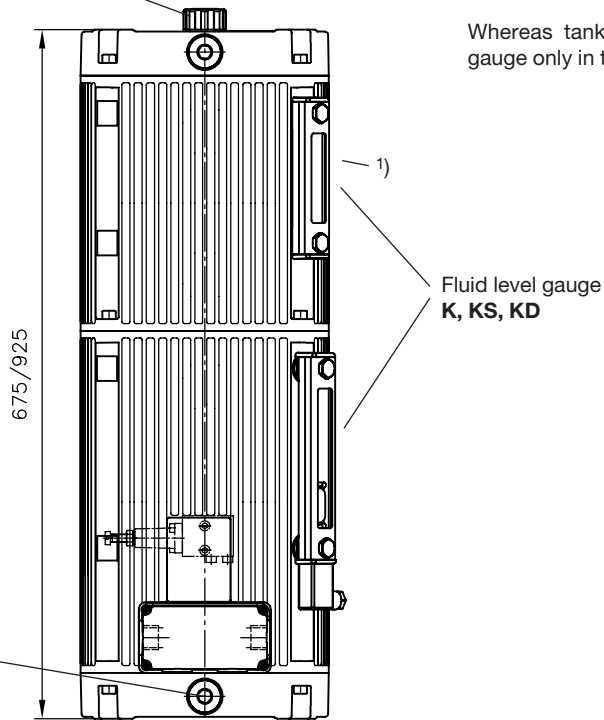


1) There is an additional fluid gauge in the tank extension with tank size coding 2, 3 and optional fluid gauge coding K, KS, KD.

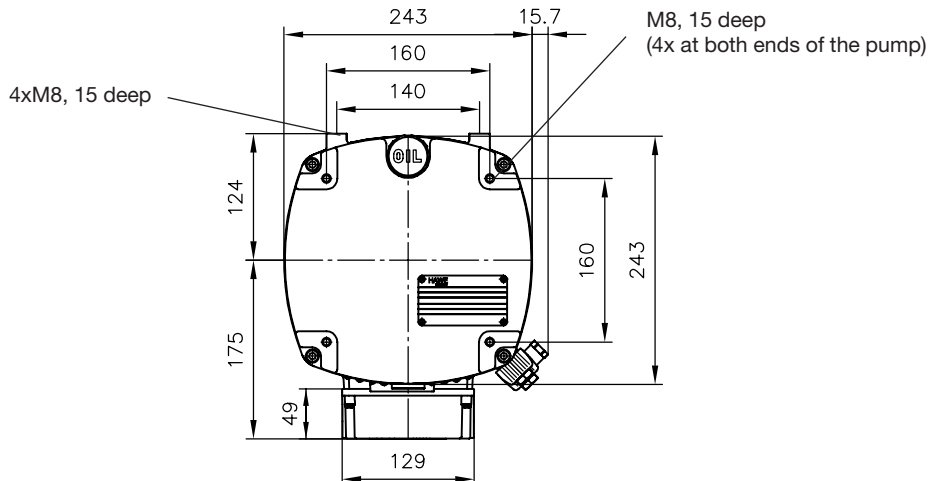
Whereas tank size 3 features the fluid gauge only in the tank extension.

Tank size
Coding 2, 3

Filler G 3/4 (BSPP)
with breather (40 µm)

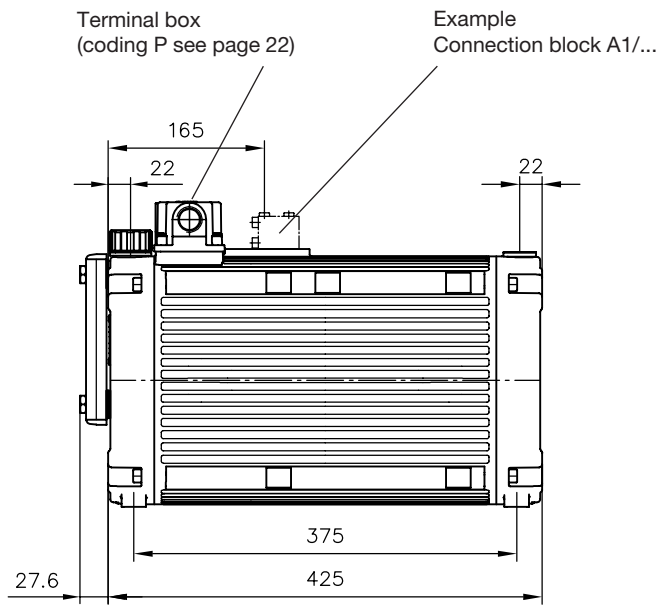


Fluid drain G 3/4 (BSPP)
For fluid drain hose, see page 23



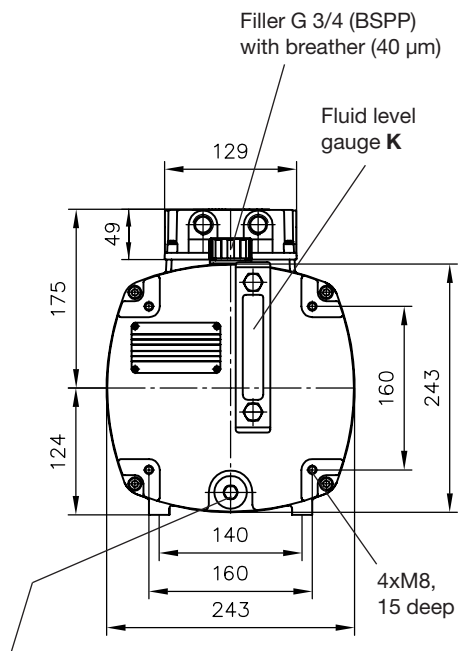
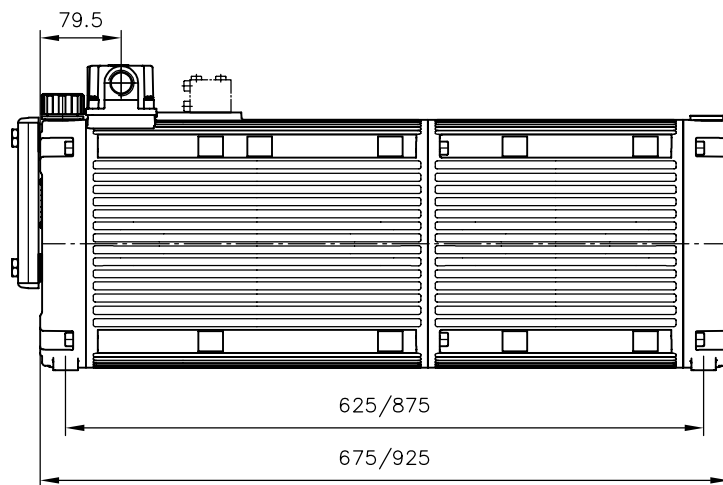
Horizontal version

Tank size without coding

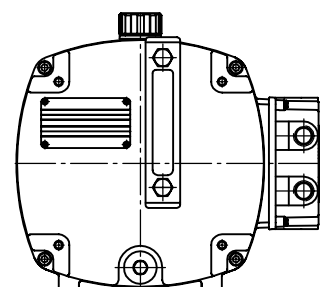


Note: In case a version intended for horizontal use is installed vertically the breather has to be positioned on top and the pump at the bottom.

Tank size
Coding 2, 3

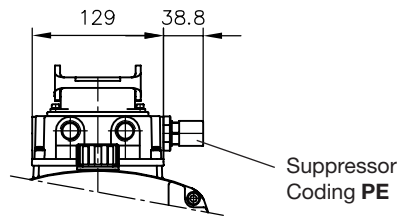
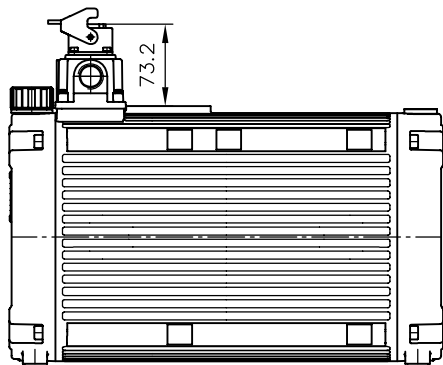


Position with
Coding L1, L14



Options

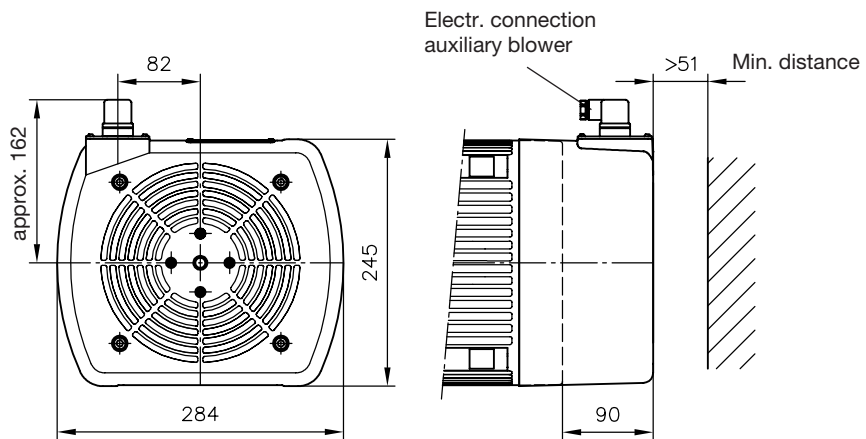
Terminal box
Coding **P**



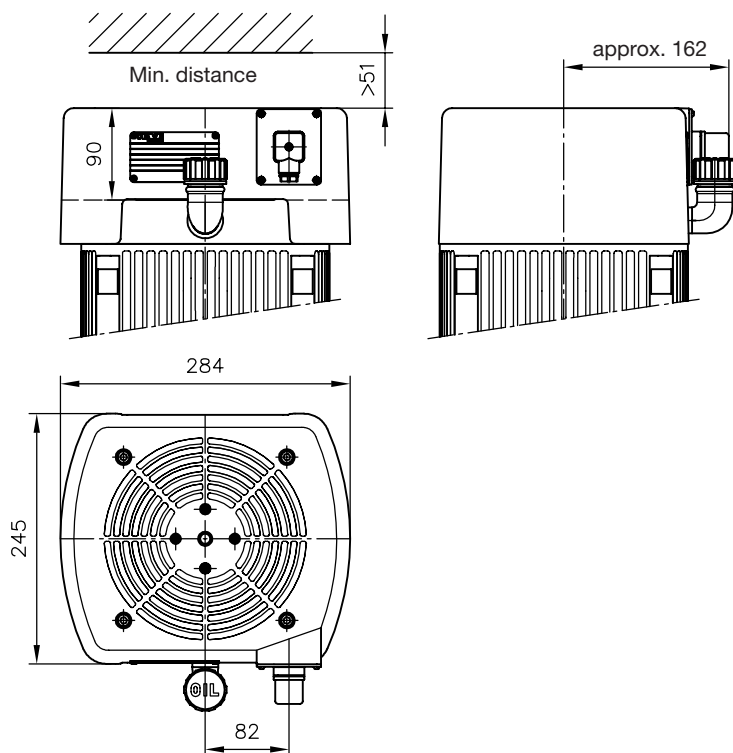
Auxiliary blower

Coding **F**

Horizontal version



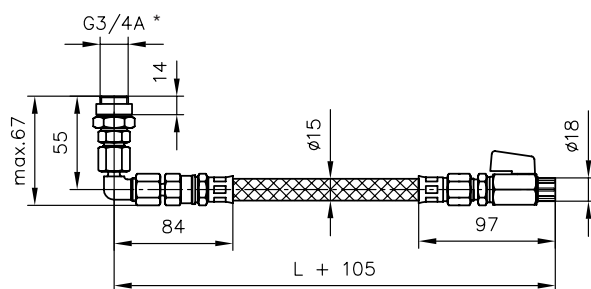
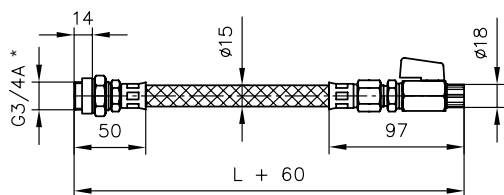
Vertical version



Fluid drain hose

Coding **G 3/4 x 300 ***
G 3/4 x 500 *

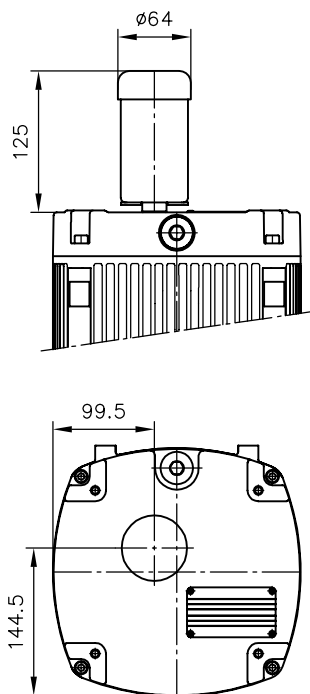
Coding **G 3/4 W x 300 ***
G 3/4 W x 500 *



*(BSPP)

Silica gel filter

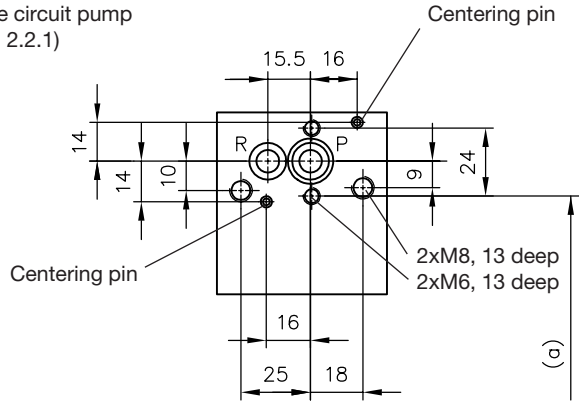
Coding **G**



4.3 Electrical and hydraulic connections

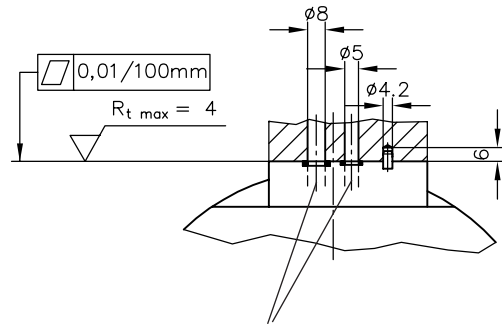
Hydraulic

Single circuit pump
(sect. 2.2.1)



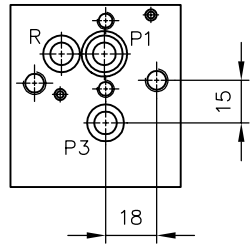
a = 165

Hole dimensions for customer furnished connection block



Port sealing:
P, P1, P3, R = 8x2 NBR 90 Sh

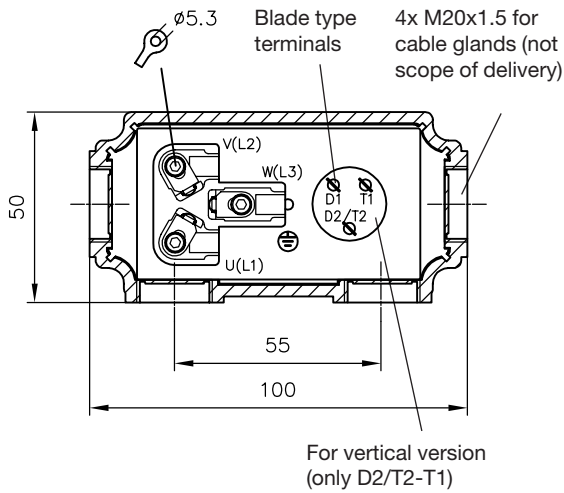
Dual circuit pump
with joint connection
pedestal
(sect. 2.2.2)



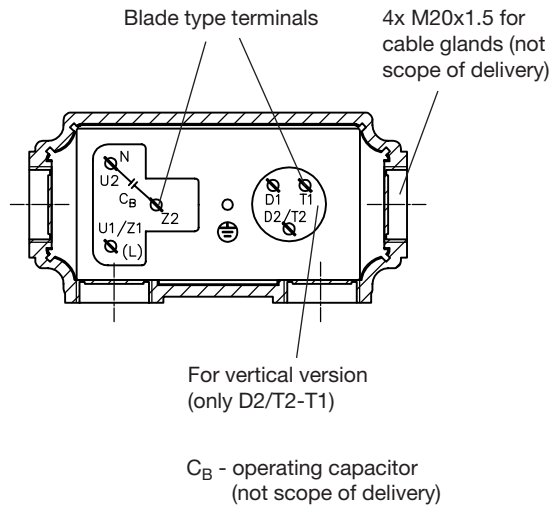
For missing dimensions,
see above !

Electrical

Terminal box
3~phase motor

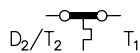


1~phase motor



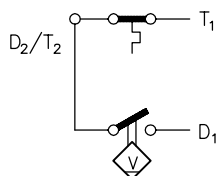
Temperature switch

Coding **T**
(terminal box)

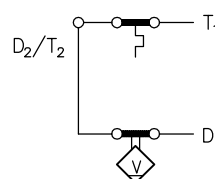


Float switch (horizontal version)

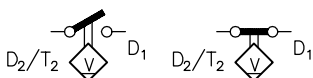
Coding **ST**
(terminal box)



Coding **DT**
(terminal box)

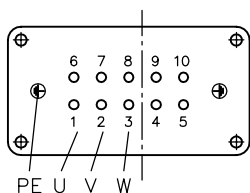


Coding **S, D**

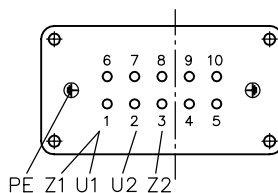


Coding P
Plug Co. HARTING HAN 10 E

3~phase motor

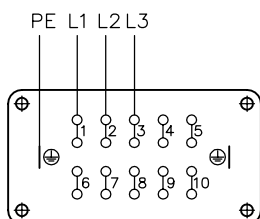


1~phase motor

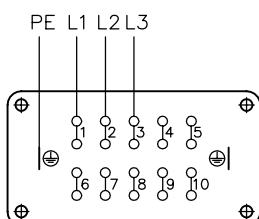


Electr. connection feed-in side (plug)

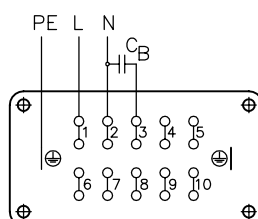
3~phase motor Υ



3~phase motor Δ

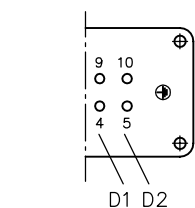


1~phase motor

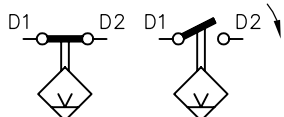


C_B - operating capacitor
(not scope of delivery)

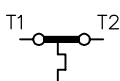
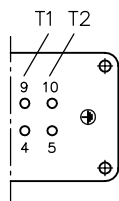
Coding D, S



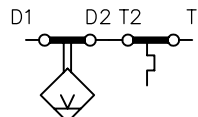
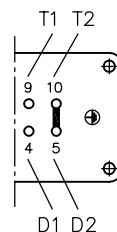
D (NC-contact) **S** (NO-contact)



Coding T



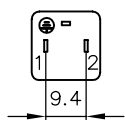
Coding DT, ST



Float switch (vertical version)

Coding **KS, KD**

Plug conf.
DIN EN 175 301-803
Industrial standard C



KS (NO-contact)



KD (NC-contact)

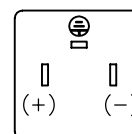
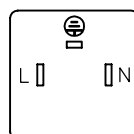


Auxiliary blower

Coding **F**

1x230 V 50/60 Hz
1x110 V 60 Hz
Plug conf.
DIN EN 175 301-803 A

24V DC
Plug conf.
DIN EN 175 301-803 A



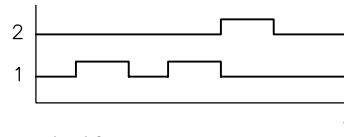
5. Appendix

5.1 Notes regarding selection

The following shows how to select a suitable hydraulic power pack with directly mounted valves. Usually an optimum solution is found when the following iteration steps have been passed.

a) Creation of a function diagram

The necessary or desired functions (hydraulically actuated) are the base for the function diagram.



b) Specification of pressure and flow

- Dimensioning and selection of the hydraulic consumers according to the required forces
- Calculation of the individual flows depending on the desired speed profiles

Note:

Take into account the necessary time for return for spring loaded clamping cylinders!

The return time of spring loaded clamping cylinders at time sensitive clamping applications, can often be even more long, than the time for clamping. In these cases, the strengths of the return spring exclusively determines the return times here. They force the piston back to its idle position opposed by the back pressure caused by valves and pipes. This has to be taken into account when dimensioning hoses, tubes and valves.

- Calculation of the individual necessary operation pressures
- Calculation of the max. necessary (pump) delivery flow – Q (lpm)
- Calculation of the max. necessary operating (system) pressure – p_{max} (bar)

Q - flow

$$Q \text{ (lpm)} = 0.06 \cdot A \text{ (mm}^2\text{)} \cdot v \left(\frac{\text{m}}{\text{s}} \right)$$

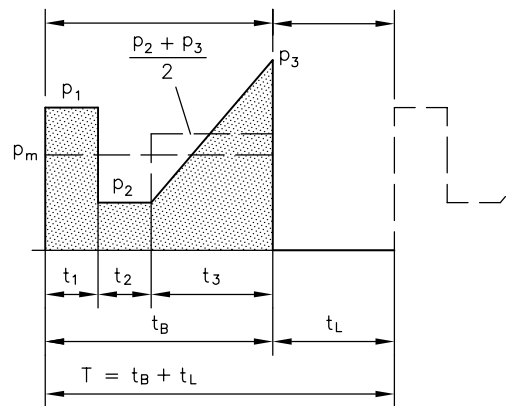
p - pressure

A - area

v - speed

F - force

$$p \text{ (bar)} = \frac{10 \cdot F \text{ (N)}}{A \text{ (mm}^2\text{)}}$$



c) Creation of the hydraulic circuit diagram

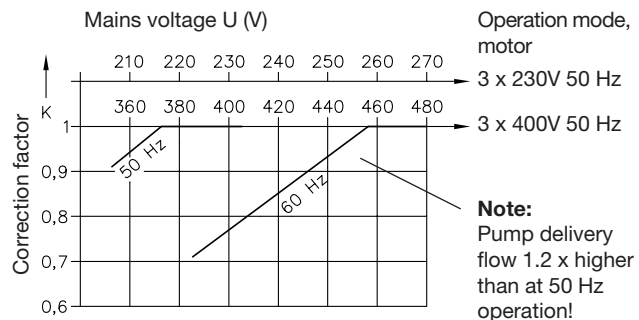
- Criteria:
 - Single circuit system
 - Accumulator charging operation
 - Dual circuit system with independently operated hydraulic circuits
 - Dual circuit system with one joint hydraulic circuit (e.g. press brakes or hydraulic tools with high-/low pressure or handling systems with rapid traverse and creeping)
 - Utilization of a hydraulic accumulator for brief support of the pump delivery

d) Creation of a time/load-diagram based on the function diagram

- The operation mode of the hydraulic power pack is selected according to this time/load-diagram
 - Calculation of the relative duty cycle %ED
 - S1 – permanent operation (not suited for compact power packs)
 - S2 – Short time operation
 - S3 – ON/OFF service
 - S6 – Permanent operation with intermittent load (only suited when combined with auxiliary blower coding F)

e) Selection of a hydraulic power pack

- Selection of the basic type based on the power supply
 - 3~phase mains type KA
 - 1~phase mains type KAW
- Motor selection
 - Voltage tolerances: $\pm 10\%$ (IEC 38), at 3 x 460/265V 60 Hz $\pm 5\%$
 - A 3~phase motor for 400 V 50 Hz can be used also at mains 460 V 60 Hz without any restrictions. 1~phase motors can be used only at mains where the nom. voltage and frequency specifications are apparent.
 - Operation with reduced voltage is possible, but there will be performance restrictions
 - $p_{max \text{ red}} = p_{max} \cdot k$
 - p_{max} (bar) – max. operating pressure according to the selection tables
 - $p_{max \text{ red}}$ (bar) – reduced max. operating pressure
 - * k – correction factor (diagram)



- Selection of the pump layout (radial piston pump, gear pump, pump combination)
- Selection of the pump delivery coding taking into account the respective perm. operating pressure of the design and selection of basic type and motor size
- Assessing the noise level acc. to the diagrams in sect. 3.1

f) Calculation of the hydraulic work

- Calculation of the middled pressure
- Calculation of the middled hydraulic work (middled oper. pressure x delivery flow)
- Calculation of the max. hydraulic work (max. oper. pressure x delivery flow)

p_m (bar) = calculated, middled pressure per cycle during while load is applied $t_B = t_1 + t_2 + t_3 + \dots$

$$p_m = \frac{1}{t_B} \left(p_1 \cdot t_1 + p_2 \cdot t_2 + \frac{p_2 + p_3}{2} \cdot t_3 + \dots \right)$$

$p_m V_g$ = Middled hydraulic work of the pump

V_g = geom. displacement acc, to tables in sect. 2.2

$$pV_{g \max} \text{ (bar cm}^3\text{)} = p_{\max} \cdot V_g$$

g) Determining the heat built-up

Attention: Observe the max. perm. fluid temperature of 80°C!

The persistent service temperature is reached after approximately one hour of operating time.

Influence-factors:

- Pressure distribution during the load duration (middled pressure)
- Share of the idle period
- Additional throttle losses, when exceeding usual figures (approx. 30%) of back pressure for pipes and valves. These influences only have to be taken into account if they are effective for a longer period within the operating cycle (load duration) when e.g. working against the pressure limiting valve (loss 100%)

The two most essential parameter, middled hydraulic work of the pump ($p_m V_g$) and load duration per operating cycle (%ED) are usually sufficient for a rough re-check of the expected persistent fluid service temperature.

- The persistent over temperature will be 15% lower with tanks coding 02, 2, 22, 3.

● Auxiliary blower

The persistent over-temperature may be reduced by 50% when utilizing an auxiliary blower (coding F).

The actual persistent over-temperature depends on the operation mode of the blower:

- only running while pump is running
- prolonged running (controlled either via time or temperature)
- permanently running

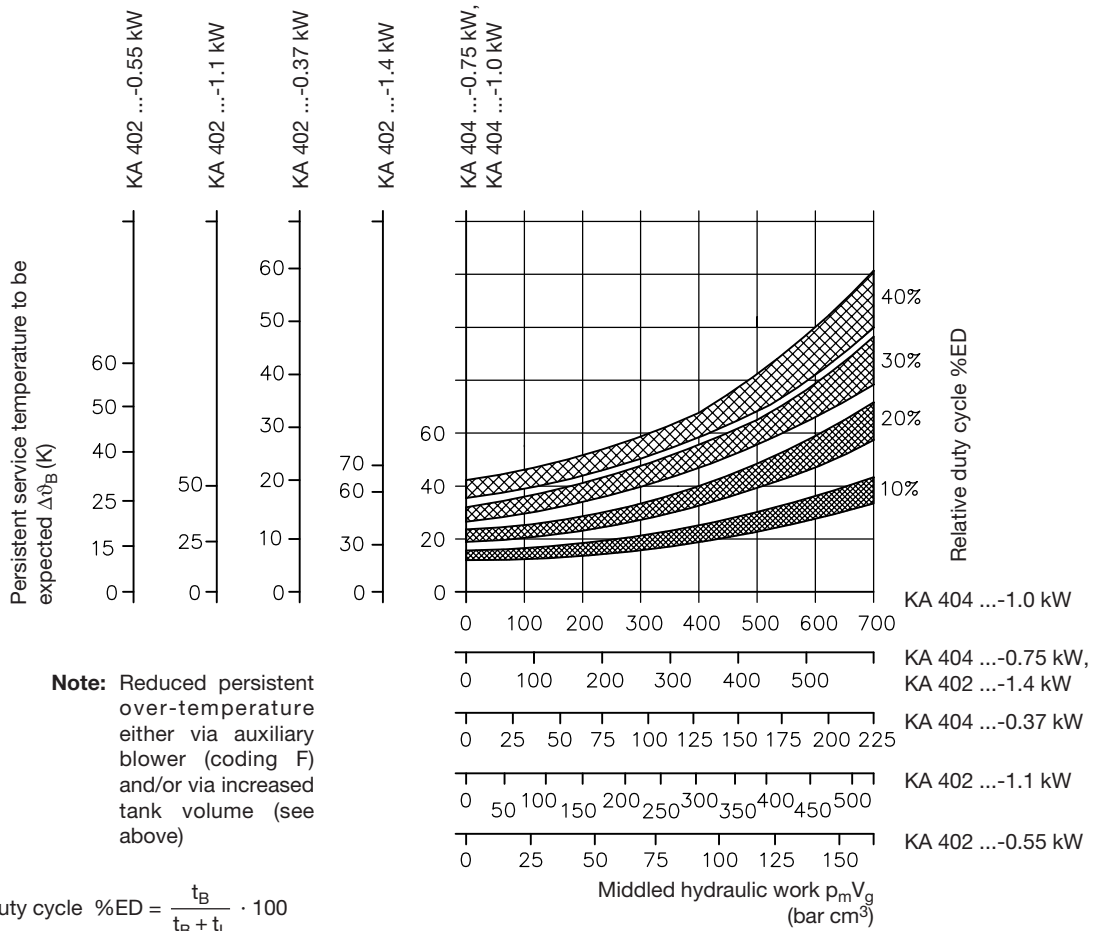
$$\vartheta_{\text{oil B}} = \Delta\vartheta_B + \vartheta_U$$

$\Delta\vartheta_B$ (K) - Excess temperature after applied load, diagram

ϑ_U (K) - Ambient temperature in the installation area

$\vartheta_{\text{oil B}}$ (°C) - Persistent service temperature of the oil filling

Attention: Observe the max. fluid temperature of 80°C!



h) Determining the max. current consumption

see curves in sect. 3.3

For setting of the motor protective switch, see sect. 5.2.4

i) Selection of the proper operation capacitor with type KAW

A capacitor is mandatory for the version with 1~phase motor. The recommendations in sect. 3.3 table 9 ensure that the max. pressure rating specified are achieved.

The electric loss can be minimized by utilizing a smaller capacitor (- 30%) as long as only 75% of the specified max. hydraulic work (pV_g) is employed.

Note: The capacitor is not scope of delivery.

Selection of the capacitor

Motor voltage	Reference voltage
1 x 230V 50 Hz	400 V DB
1 x 220V 60 Hz	
1 x 110V 60 Hz	230 V DB
1 x 115V 50 Hz	

j) Run-down

A certain pressure rise will occur due to pump motor run-down, if the pump is directly connected to a hydraulic cylinder via a pipe, such as e.g. in the typical connection pattern for clamping equipment (connection block B...) and if the power unit is switched off by a pressure switch as soon as a pre-selected pressure is achieved. The extent of this additional pressure rise depends on the pre-selected pressure, the volume of the connected consumers and the pump delivery rate. If such pressure rises are undesired, it will be necessary to reset the pressure limiting valve to match the shut-off point of the pressure switch. The result will be that all excess delivery of the pump during run-down will be conducted to the tank via the pressure limiting valve.

Procedure for matching is as follows:

1. Fully open the pressure limiting valve.
2. Adjusting the pressure switch on highest value (turning the adjustment screw clockwise up to the stop).
3. Start the pump (pressure gauge and all consumers connected) and turn up the setting of the pressure limiting valve until the pressure gauge shows the desired final operation pressure.
4. Turn back the pressure switch until the pump is switched off at the preset pressure (see point 3)
5. Lock pressure switch and pressure limiting valve in position.

The effect of excessive run-down pressure may also be minimized by utilizing an accumulator or providing additional volume in the consumer line.

If the compact hydraulic power pack is running under full load, i.e. the preset pressure is close to the maximum permissible pressure as listed in sect. 2.1 and 2.2, then effectively no run-down will occur, as the pump will stop almost immediately after shut-off.

k) Silica gel filter

The use of a silica gel filter is recommended, when water is migrating into the system via the tank breather because of high moisture and/or temperature changes (condensing water) - Danger of short-cut!

Note: Observe maintenance notes in sect. 5.4!

l) Selection of a connection block

A connection block is mandatory for the hydraulic connection of the hydraulic power pack.

Type	Description	Pamphlet
A, AL, AM, AK, AS, AV, AP	For single circuit pumps with pressure limiting valve and the possibility for direct mounting of directional valve banks Optional: - pressure resistant filter or return filter - idle circulation valve - accumulator charging valve - prop. pressure limiting valve	D 6905 A/1
AN, AL, NA, C30, SS, VV	For dual circuit pumps with pressure limiting valve and where directional valve banks can be directly mounted in some cases Optional: - accumulator charging valve - two stage valve - idle circulation valve	D 6905 A/1
AX	For single circuit pumps with pressure limiting valve (type approved) and the possibility for direct mounting of directional valve banks for use at accumulator charged systems Optional: - pressure resistant filter or return filter - idle circulation valve	D 6905 TÜV
B	For single circuit pumps for actuating single acting cylinders with pressure limiting valve and drain valve Optional: - throttle valve	D 6905 B
C	For single circuit pumps with ports P and R for direct piping	D 6905 C

m) Selection of the directional valve banks

The direct mounting of directional valves to the connection blocks type A enables creation of compact hydraulic units without additional piping.

Type	Description	Pamphlet
VB	Directional seated valves up to 700 bar	D 7302
BWN, BWH	Directional seated valves up to 450 bar	D 7470 B/1
BVZP	Directional seated valves up to 450 bar	D 7785 B
SWR, SWS	Directional spool valves up to 315 bar	D 7451, D 7951
BA	Valve bank for the combination of different directional valves with connection hole pattern NG 6 acc. to DIN 24 340-A6	D 7788
BVH	Valve bank with directional seated valves up to 400 bar	D 7788 BV
NBVP	Directional seated valves	D 7765 N
NSWP	Directional spool valves	D 7451 N
NSMD	Clamping modules (Directional spool valve with pressure reducing valve and feedback signal)	D 7787
NZP	Intermediate plate with connection hole pattern Ng 6 acc. to DIN 24 340-A6	D 7788 Z

5.2 Assembly information

Caution: The pumping set must be installed and connected by a qualified specialist who is familiar with and adheres to general engineering principles and relevant applicable regulations and standards.

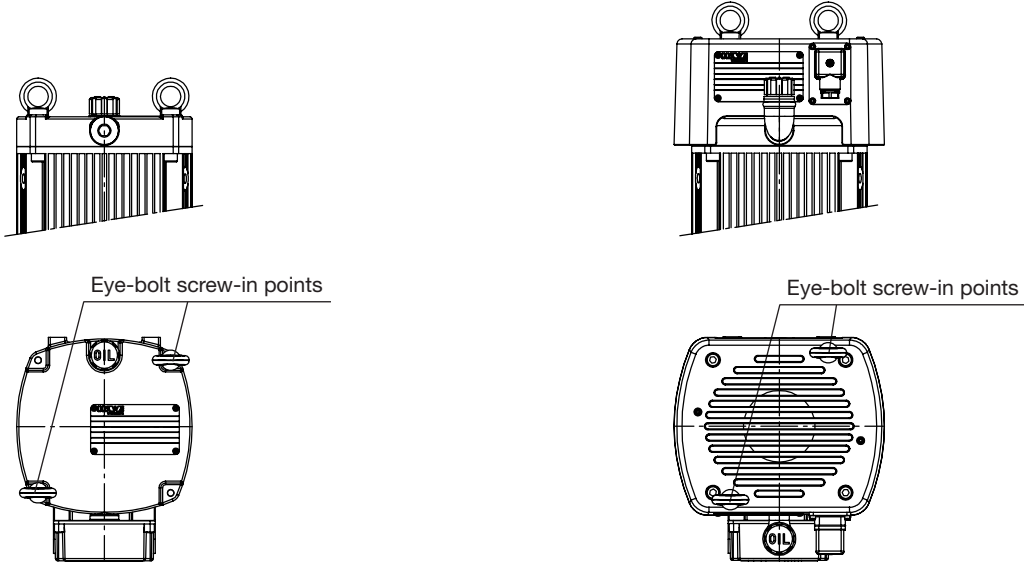
The following directives and standards must be observed:

- ISO 4413 Hydraulic fluid power - General rules and safety requirements for systems and their components
- D 5488/1 Oil recommendations
- B 5488 General operating instructions

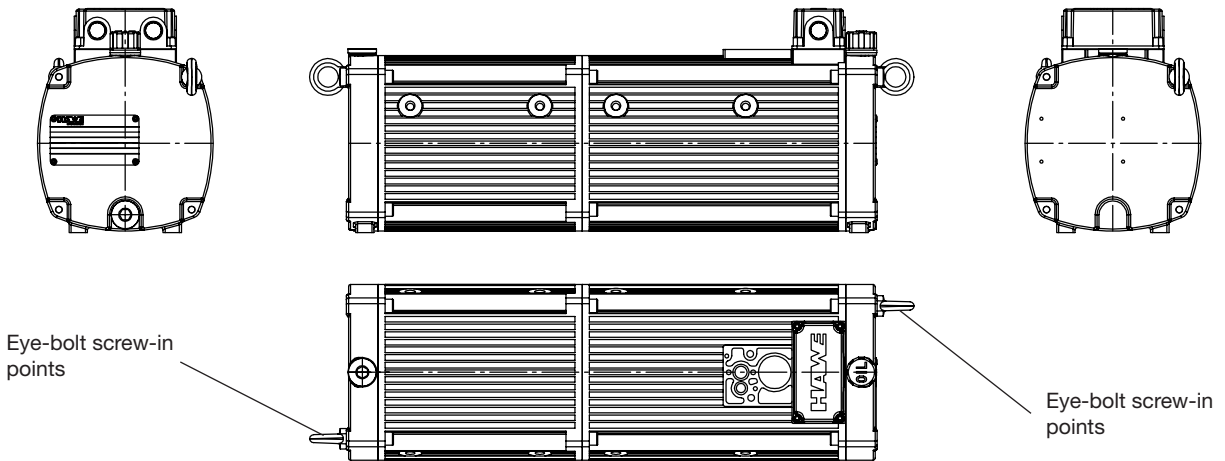
5.2.1 Transport information

Vertical version

Pump with external fan

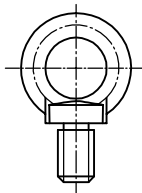


Horizontal version



The eye-bolts are not contained in the scope of delivery of the KA power pack.

To order eye-bolt M8: Part no. 6016 1203-00



e.g. eye-bolt ISO 3266 - M8x13


5.2.2 Identification

see type plate or selection table

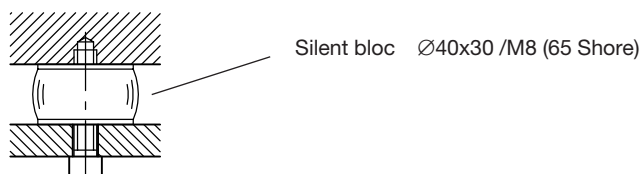
5.2.3 Installation and mounting

● Installation

 The hydraulic power pack incl. the solenoids of the directional valves can become hot during operation → Risk of injury!

Note: If surface temperatures >60°C occur during operation, isolating safety devices are to be provided.
 Care has to be taken that fresh air can be drawn in and the warm air can escape.
 Modifications of any kind (mechanical, welding or soldering works) must not be performed.

- Installation position dep. on version, see sect. 2.1, table 1c
- For dimensions, see sect. 4.2
- For mounting hole pattern, see sect. 4.1
- Recommended mounting



- Mass (for the basic unit, without valve mounting or oil filling)


For the mass (weight) of the connection blocks and valve banks, see the corresponding publications


	KA 2, KAW 2			
	H (3 cyl.)	H (6 cyl.)	Z	HZ
KA 21, 23	10.9	11.5	12.7	13.2
KA 22, 24	13.2	13.6	15.0	15.5
KA 26, 28	14.7	15.1	16.5	17.0
Tanke size 01, 1	+0.7 kg			
Tanke size 02, 2	+2.2 kg			
Tanke size 11	+1.4 kg			
Tanke size 21	+2.9 kg			
Tanke size 22, 3	+4.4 kg			
Auxiliary blower	+2.1 kg			

	KA 4, KAW 4			
	H (3 cyl.)	H (6 cyl.)	Z	HZ
KA 4	29	29.6	30.8	31.5
Tanke size 02, 2	+2.2 kg			
Tanke size 22, 3	+8.8 kg			
Auxiliary blower	+2.7 kg			

5.2.4 Electrical connection and setting of the protective motor switch

- For connection of the electric motor, see sect. 3.3
- For connection of the float and fluid level switch, see sect. 3.3

 **Note:** Response temperature according to the fitted temperature switch (see table 1d and sect. 3.3)

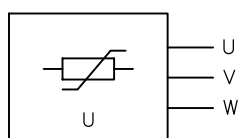
 **Note:** If the amount of oil removed during each operating cycle causes the oil level to fall below the monitoring level of the float switch, then suitable electrical measures are to be taken in order to ignore the signal until the oil level rises above the monitoring level once again as a result of the oil flowing back in at the end of the operating cycle.

- Adjustment of the protective motor switch

- In most cases it is sufficient, to set the response current to approx. (0.85 ... 0.9) I_M (see current sect 3.3). This makes sure that on one hand the bimetallic switch does not trigger too early during normal operation but on the other hand the oil temperature doesn't rise too high due to a prolonged response time after the pressure limiting valve is in action.
- Test the setting of the motor protective switch during a test run. Temperature switches, float switches and pressure switches are further safety measures against malfunctions.

5.2.5 Notes to ensure EMC (Electromagnetic compatibility)

If compact hydraulic power packs (induction machine according to EN 60034-1 para. 12.1.2.1) are connected to a system (e.g. power supply unit according to EN 60034-1 para. 6), they do not generate any invalid fault signals (EN 60034-1 para. 19). Stability tests for demonstrating compliance with the standard EN 60034-1 para. 12.1.2.1 and/or VDE 0530-1 are not required. Any brief and potentially disruptive electromagnetic fields generated when switching the motor on and off can be weakened, for example using suppressor type 23140, 3x400 V AC 4 kW 50-60 Hz, made by Murr-Elektronik, D-71570 Oppenweiler, Germany.
 With type KA, a suppressor can be integrated as an option directly at the terminal box or HARTING plug (see table 1e, coding E or PE).



5.3 Operating instructions

5.3.1 Commissioning

- Check, whether the compact hydraulic power pack is professionally connected.
 - Electrically: Power supply, controls
 - Hydraulically: Piping, hoses, cylinders, motors
 - Mechanically: Fastening at the machine, the frame, and the rack
- A protective motor switch should be employed to safeguard the electric motor.
For current setting, see sect. 5.2.4
- The pressure fluid to top-up the power pack should have passed the system filter or be fed via a filter unit always.
Only mineral oils conforming DIN 51524 part 1 to 3, type HL or HLP, with a viscosity of ISO VG 10 to 68 acc. to DIN 51519 are suited for use with this power pack. The water content must not exceed 0.1% (Danger of short-cut!)
Also suitable are biologically degradable pressure fluids type HEES (Synth. Ester) at service temperatures up to approx. +70°C.
Electrically hazardous: Any fluid types containing water must not be used (short-cut) i.e. fluids type HEPG and HETG are not suitable! The compact hydraulic power pack has to be topped-up to the max. marking of the fluid level gauge/dip-stick.
- Fill volume and usable volume

Coding	KA 2, KAW 2			KA 4, KAW 4		
	Filling volume V_{filling} (l)	Usable volume, vertical V_{Usab} (l)	Usable volume, horizontal V_{Usab} (l)	Filling volume V_{filling} (l)	Usable volume, vertical V_{Usab} (l)	Usable volume, horizontal V_{Usab} (l)
--	3.9	1.85	1.5	13	5	6
1	5.0	2.7	2.0	-	-	-
01	5.0	2.7	2.0	-	-	-
11	6.1	3.55	2.5	-	-	-
2	7.5	5.45	3.15	22	15	11
02	7.5	-	3.15	22	-	11
21	8.6	5.45	3.65	-	-	-
22	11.1	-	4.8	31	-	16
3	11.1	8.95	4.8	31	25	16

- Direction of rotation
 - Radial piston pump - any
 - Gear pump - counterclockwise
 - (Direction of rotation can only be detected by checking the delivery flow - the connection of 2 of the 3 leads have to be changed at 3-phase versions, when there is no flow)
- Initial operation and bleeding
The pump cylinders will be bled automatically if the pump is switched on and off several times while the connected directional valves are switched into a switching position where idle circulation is provided, if possible with your circuitry (see circuit diagram).
Another way is to install a pipe fitting with a short piece of pipe and prolonged by a translucent tube. The other end of the tube should be put into the filler neck (breather removed), held firmly and sealed with a non-fluffing cloth. Now switch on the pump and let it run until no more bubbles are visible. Next after the pump cylinders are bled any air dragged into the system should be removed by opening the bleeder screws at the consumers (if provided) until no more bubble are detected or by operating all functions of the circuitry without load until all cylinders, motors, etc. move steadily and without any hesitation.
- Pressure limitation and pressure reducing valves
Do not make any changes of the pressure setting without simultaneously checking the pressure with a pressure gauge!
- Directional valve
Solenoid valves apparent are to be connected to the controls according to the hydraulic wiring diagram and functional diagram.
- Accumulator charged systems
Accumulators have to be filled with appropriate equipment according to the pressure specifications of the hydraulic wiring diagram. The respective operating manuals have to be taken into account.
- When using a silica gel filter, remove the red cap on the underside of the compact hydraulic power pack prior to commissioning.

5.4 Maintenance information

5.4.1 Maintenance

It must be ensured that the oil level is regularly monitored.

An oil change must be performed once a year, with any pressure filters and return filters being replaced as well. For further information, see B 5488!

Silica gel filters,

- when apparent, have to be checked visually for a colour change every 6 months
- Used silica gel filters have to be disposed as hazardous waste!



orange red

Silica gel filter grain
 red = Ok
 orange = Replacement is indicated



Attention: Prior to maintenance and repair works the system has to be:

- depressurized (hydraulic side). This applies especially to systems with hydraulic accumulators
- cut-off or deenergized

Repairs and spare parts

- Repairs (replacing service items) are possible by competent craftsmen. The motor can't be repaired or replaced by the customer. There are spare parts lists available, pls. state your pump type acc. to the type plate either on the pump or on the cover plate.

5.5 Disposal information

- Valve control
 - Mixed scrap
- Pump unit with motor
 - Electronic waste
- Tank or diaphragm accumulator, as applicable (depressurised on gas side)
 - Scrap iron
- Hydraulic fluid
 - Waste oil

6. Additional information

6.1 Declaration of incorporation according to Machinery Directive 2006/42/EC (see page 34)

6.2 Declaration of conformity according to Low-Voltage Directive 2006/95/EC (see page 35)

6.3 UL-compliant stators

The following stator types are UL-compliant.

UL reference: E 216350

- KA 44 ..
- KA 40 ..

HAWE Hydraulik SE



HAWE Hydraulik SE
Postfach 80 08 04, D-81608 Munich, Germany

Munich, 01/07/2013

**Declaration of Incorporation within the meaning of the
Machinery Directive 2006/42/ EC,
appendix II, No.1 B**

Compact hydraulic power pack type KA, KAW, KA2.../ZM... and KAW2.../ZM...
acc. to our pamphlet **D 8010, D 8010-4, SK 8010 L1, SK 8010 S1 andw SK 8010 W**
(latest release)

is an incomplete machine (acc. to article 2g), which is exclusively intended for installation or assembly of another machinery or equipment.

The specific technical documents, necessary acc. to appendix VII B, were prepared and are transmitted in electronic form to the responsible national authority on request.

Risk assessment and analysis are implemented according to appendix I of the Machinery Directive. The dept. MARKETING is authorized to compile the specific technical documents necessary acc. to appendix VII B

HAWE Hydraulik SE
Dept. MARKETING
Streitfeldstraße 25
D-81673 München

The following basic safety and health protection requests acc. to appendix 1 of below guideline do apply and are complied with:

DIN EN ISO 4413:2010

„Hydraulic fluid power – General rules and safety requirements for systems and their components“

We assume that the delivered equipment is intended for the installation into a machine.

Putting in operation is forbidden until it has been verified that the machine, where our products shall be installed, is complying with the Machinery Directive 2006/42/ EC.

This Declaration of Incorporation is void, when our product has been modified without our written approval.

HAWE Hydraulik SE

i.A. Dipl.-Ing. A. Nocker (Produktmanagement)

HAWE Hydraulik SE



HAWE Hydraulik SE
Postfach 80 08 04, D-81608 Munich, Germany

Munich, 01/07/2013

**Declaration of conformity within the meaning of European Directive
2006/95/EC,
electrical equipment designed for use within certain voltage limits**

We, HAWE Hydraulik SE,
headquartered at: D-81673 Munich, Streitfeldstraße 25
take sole responsibility for the following declaration that the product

Compact hydraulic power pack types KA, KAW, KA2.../ZM... and KAW2.../ZM...
according to our publication D 8010, D 8010-4, SK 8010 L1, SK 8010 S1 and SK 8010 W
(the current issue of each respective publication),
to which this declaration refers, complies with the following standards or
normative documents:

*DIN EN 60 034 (IEC 34 - DIN VDE 0530)
DIN VDE 0110*

If a change is made to the product that has not been agreed in writing with the manufacturer, this
declaration shall become void.

HAWE Hydraulik SE

i.A. Dipl.-Ing. A. Nocker (Produktmanagement)